

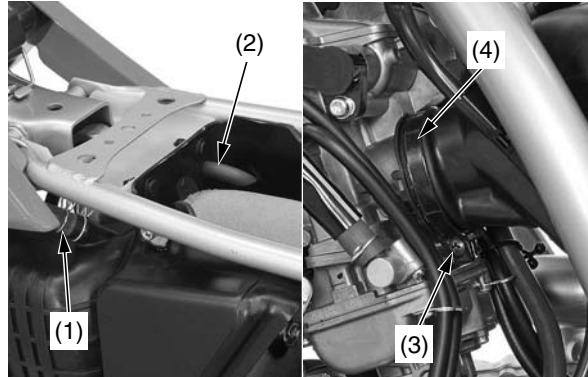
# Subframe

Refer to *Safety Precautions* on page 19.

## Removal

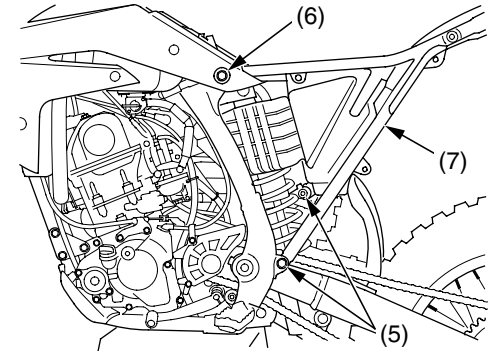
1. Remove the muffler (page 85).
2. Remove the seat (page 29).

3. Disconnect the crankcase breather tube (1).
4. Pull out the transmission breather tube (2) from the air cleaner housing.
5. Loosen the screw (3) on the air cleaner connecting tube clamp (4).



- (1) crankcase breather tube
- (2) transmission breather tube
- (3) screw
- (4) air cleaner connecting tube clamp

6. Remove the subframe lower mounting bolts (5) and upper mounting bolt (6). Then remove the subframe (7) by pulling it straight backward.



- (5) subframe lower mounting bolts
- (6) subframe upper mounting bolt
- (7) subframe