

Taking Care of the Unexpected

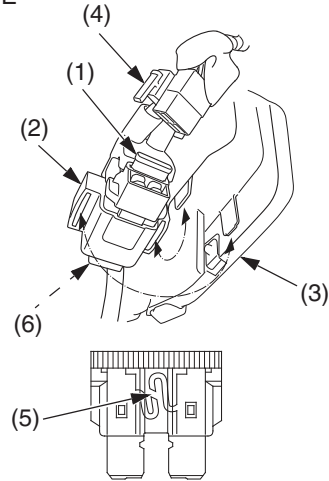
The fuse is located behind the left side cover.

Recommended Fuse

main fuse	7.5 A
-----------	-------

1. To prevent an accidental short circuit, turn the ignition switch OFF before checking or replacing the fuse.
2. For access the main fuse (1), remove the left side cover (page 58).
3. Remove the starter magnetic switch (2) from the battery box (3).
4. Disconnect the wire connector (4) of the starter magnetic switch.
5. Pull the fuse out. If the main fuse is blown (5), install a new main fuse (6).
6. Reconnect the wire connector.
7. Install the starter magnetic switch.
8. Install the left side cover.

LEFT SIDE



- (1) main fuse
- (2) starter magnetic switch
- (3) battery box

- (4) wire connector
- (5) blown fuse
- (6) spare main fuse