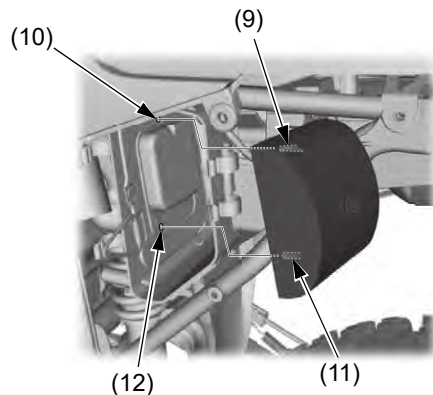


Air Cleaner

9. Pour clean Pro Honda Foam Filter Oil or an equivalent (Canada: Honda Foam Filter Oil or an equivalent) over the entire surface of the air cleaner. Use both hands to evenly spread the oil into the air cleaner. Gently squeeze out any excess oil. (To keep your hands dry, place the air cleaner in a clean plastic bag before spreading the oil into the air cleaner.)
10. Assemble the air cleaner and holder.
Insert the tabs (7) in the air cleaner holes (8).
11. Clean the inside of the air cleaner housing.
12. Apply a thin coat of grease to the sealing surface of the air cleaner.
13. Install the air cleaner assembly by inserting the upper tab (9) on the cleaner into the upper hole (10) in the air cleaner housing, and the lower tab (11) into the lower hole (12).
Hook the set spring.
Check that the air cleaner is properly seated.

14. Install the air cleaner housing cover and set the retainer clips.
15. Install the left side cover (page 57).

LEFT SIDE



(9) upper tab
(10) upper hole

(11) lower tab
(12) lower hole