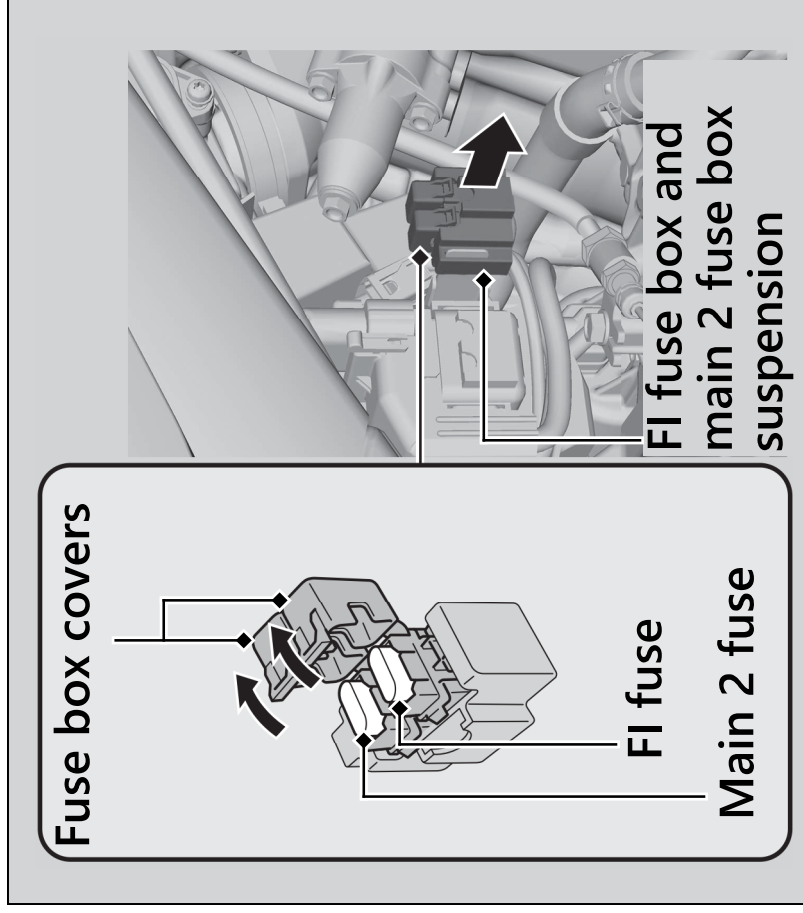


FI Fuse & Main 2 Fuse

CRF1100A/A4



1. Remove the battery box cover. ► P. 249
2. Pull the FI fuse box and main 2 fuse box suspension out.
3. Open the fuse box cover.
4. Pull the FI fuse and main 2 fuse out with the fuse puller provided on the underside of the rear seat (► P. 222) and check for a blown fuse. Always replace a blown fuse with a spare fuse of the same rating.
 - Spare FI fuse is provided in the fuse box under the front seat. ► P. 315
 - Spare main 2 fuse is provided in the starter magnetic switch.
5. Reinstall parts in the reverse order of removal.