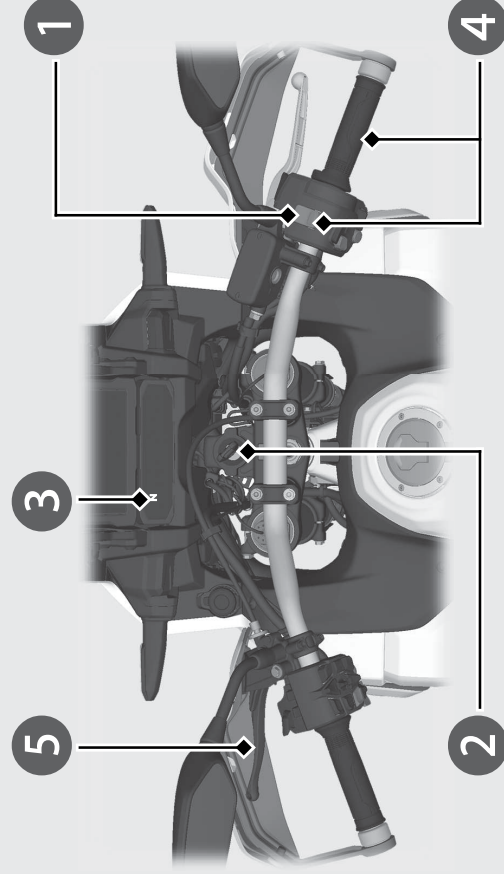


CRF1100D/D4

Start your engine using the following procedure, regardless of whether the engine is cold or warm.



- 1 Make sure the engine stop switch is in the (Run) position.
- 2 Turn the ignition switch to the ON position.
- 3 Check the transmission in Neutral (**N** indicator come on).
- 4 Press the **START** (**⚡**) button with the throttle completely closed.
- 5 Make sure the parking brake lever is released before riding. **↔P.125**

! If Engine Does Not Start **↔P.200**

When you stop the engine

- 1 To stop the engine, shift the transmission to Neutral (**N** indicator comes on).
 - ▶ If you turn the ignition switch to the OFF position when the vehicle is in gear, the engine will shut off with the clutch disengaged.
- 2 Turn the ignition switch to the OFF position.
- 3 Set the parking brake when you park the vehicle. **↔P.125**

NOTICE

- If the engine does not start within 5 seconds, turn the ignition switch to the OFF position and wait 10 seconds before trying to start the engine again to recover battery voltage.
- Extended fast idling and revving the engine can damage the engine, and the exhaust system.
- Snapping the throttle or fast idling for more than about 5 minutes may cause exhaust pipe discoloration.
- The engine will not start if the throttle is fully open.