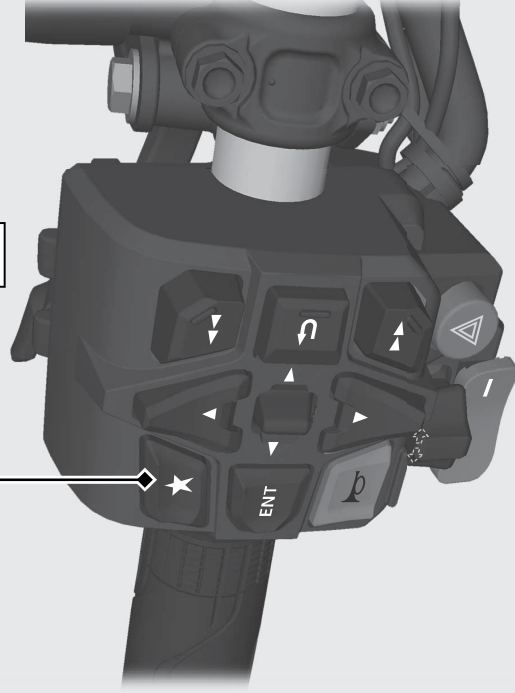






## Honda selectable torque control (Continued)

### Torque Control level setting

- When using the  favorite switch:
  - 1 Stop the vehicle.
  - 2 Select the [HSTC] of the  favorite switch. 
  - 3 Press the  favorite switch.
- ▶ 7: the maximum Torque Control level
- ▶ 1: the minimum Torque Control level

### Favorite switch



- When using the multi-information display:
  - 1 Stop the vehicle.
  - 2 Select the gold image display. 
  - 3 Select page 4. 
  - 4 Press the **ENT** switch.
  - 5 Select [HSTC].
  - 6 Push the  or  of the left/right switch to select your preferred level.

