

# Parking Brake

CRF1100D/D4

## Parking Brake Lever

Be sure the parking brake is applied while parking and warming up the engine.

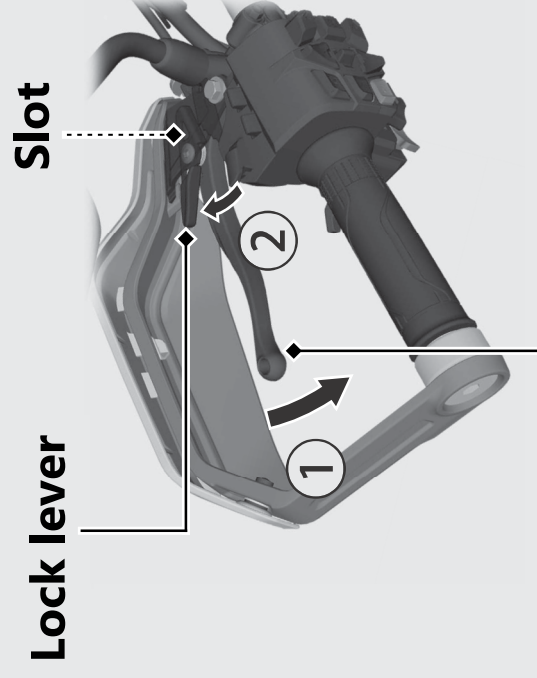
- ▶ Make sure the parking brake lever is released before riding.

To apply the parking brake

Squeeze the parking brake lever (1) fully then rotate the lock lever (2) clockwise until it engages the slot on the parking brake lever bracket back to lock the rear wheel.

- ▶ The parking brake lock will not function if the parking brake is not adjusted properly.

 P.266



## Parking brake lever

To release the parking brake

Squeeze the parking brake lever until the lock lever is released from the slot on the parking brake lever bracket.

- ▶ Before riding, check that the parking brake indicator is turned off and make sure that the parking brake is fully released so there is no drag on the rear wheel.