

To Select a Desired Setting Menu

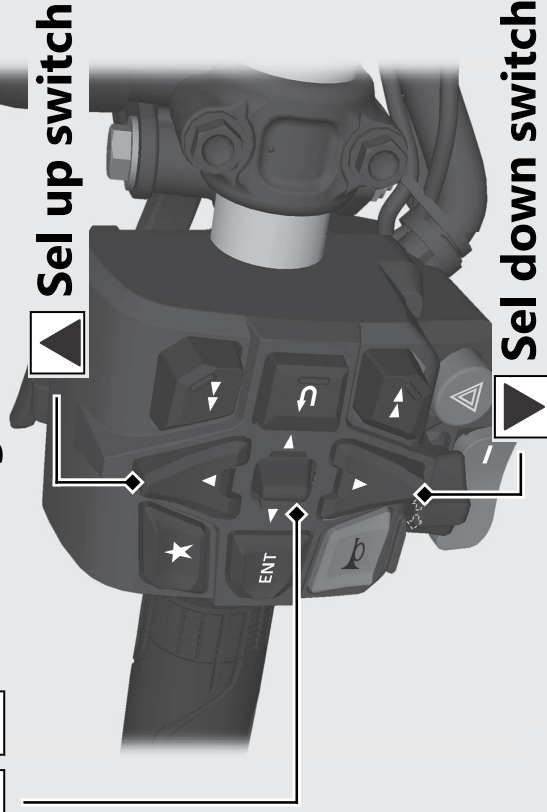
To operate with the left handlebar:

Press  or  to select the available choices.

To operate with the left handlebar:

Push  or  to select the available choices.

  **Sel left/right switch**



To operate with the touch screen:

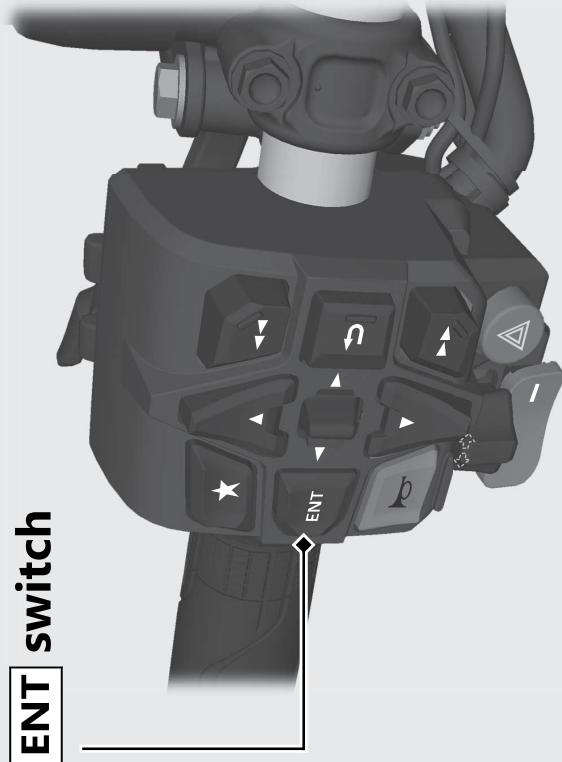
Touch the menu to be selected on the touch screen.

To Set Your Selection

To operate with the left handlebar:

Press the **ENT** switch on the left handlebar to set your selection.

ENT switch



To operate with the touch screen:

Touch the menu to be selected on the touch screen.