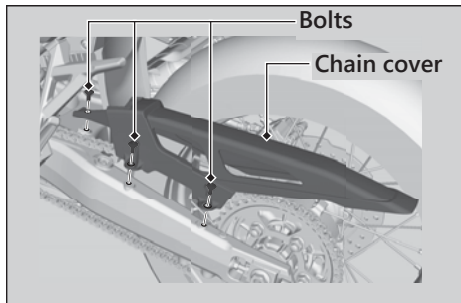


4. Remove the bolts using the hex wrench provided on the underside of the front seat. 2 P. 83
5. Remove the chain cover.



6. Loosen the rear axle nut, lock nuts and turn the adjusting bolts so the rear wheel can be moved all the way forward for maximum drive chain slack.
7. Remove the rear axle nut and washer.

8. Remove the drive chain from the driven sprocket by pushing the rear wheel forward.
9. Remove the rear axle shaft and adjusting plates.

