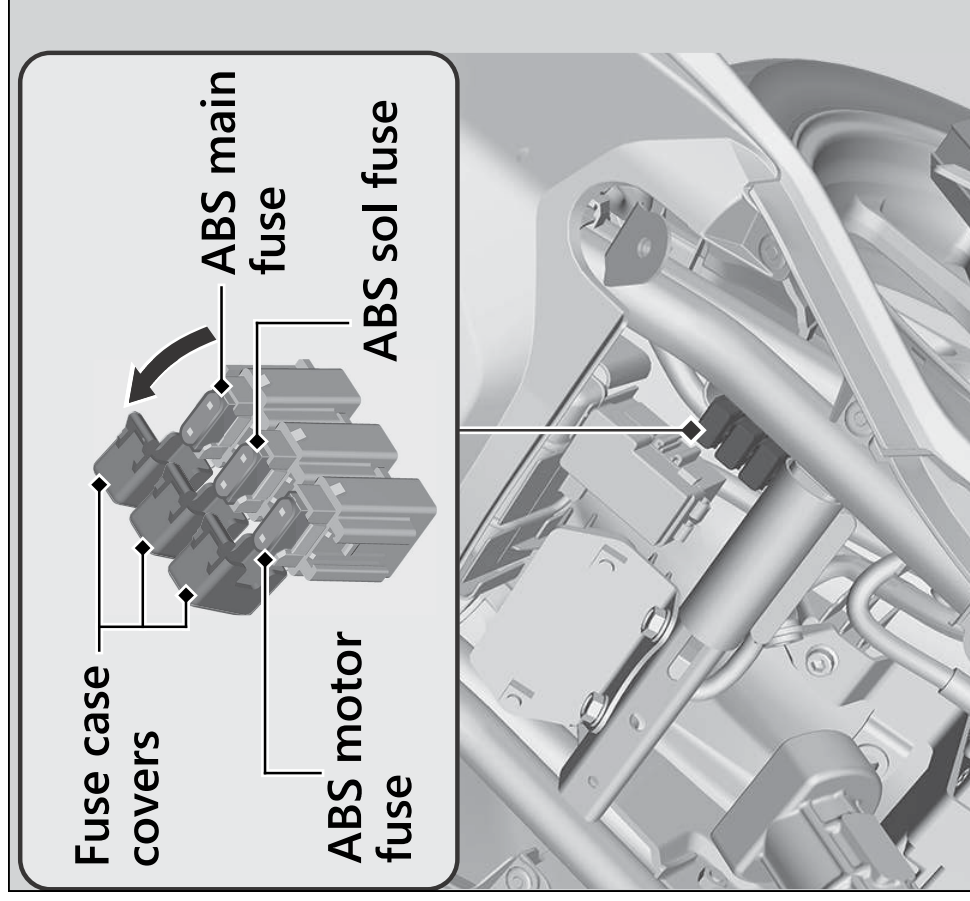


## ABS Fuse

1. Remove the front seat. ➔ P. 51
2. Open the fuse case covers.
3. Pull the ABS fuses out one by one with the fuse puller in the tool kit and check for a blown fuse. Always replace a blown fuse with a spare fuse of the same rating.
4. Close the fuse case covers.
5. Reinstall parts in the reverse order of removal.



### NOTICE

If a fuse fails repeatedly, you likely have an electrical problem. Have your vehicle inspected by your dealer.