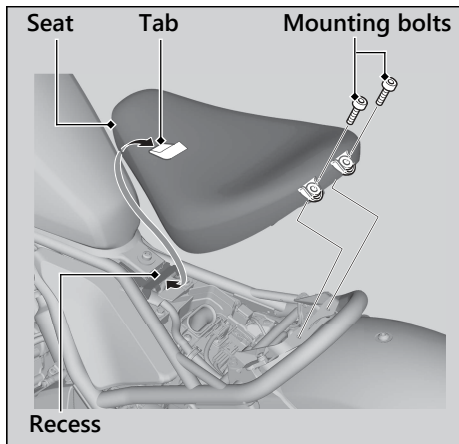


Seat



Removal

1. Pull the rear corners of the seat up, then remove the mounting bolts using the provided 5 mm Hex wrench. ► P. 43
2. Pull the seat back and up.

Installation

1. Insert the tab into the recess.
2. Install and tighten the mounting bolts securely.

Make sure that the seat is locked securely in position by pulling it up lightly.