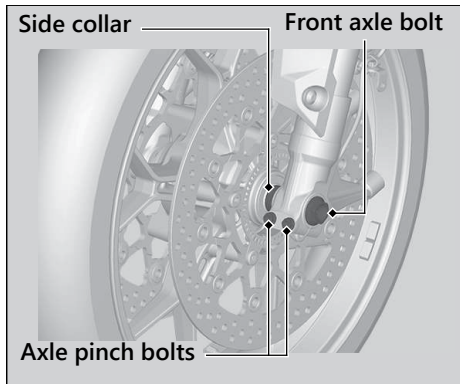


## Tire Puncture ► Removing Wheels

5. Loosen the left axle pinch bolts.
6. Remove the front axle bolt.
7. Support your vehicle securely and raise the front wheel off the ground using a maintenance stand or a hoist.



8. Loosen the right axle pinch bolts.
9. On the right side, withdraw the front axle shaft, and remove the side collars and wheel.

