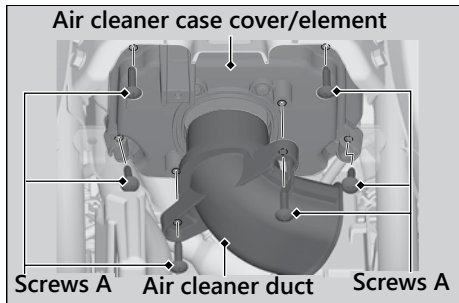
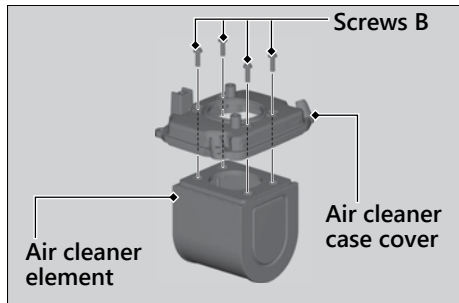


## Air Cleaner ► Changing Air Cleaner Element

- Remove the air cleaner duct and air cleaner case cover/element by removing the screws A.



- Remove the air cleaner element from air cleaner case cover by removing the screws B.



- Install the new air cleaner element.
  - Make sure the air cleaner element is installed securely.
- Install the parts in the reverse order of removal.
  - Tighten the screws A.

**Torque:** 0.8 lbf·ft (1.1 N·m, 0.1 kgf·m)