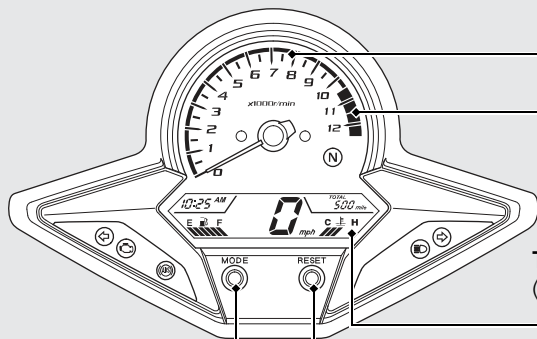


# Instruments



## Tachometer

### NOTICE

Do not operate the engine in the tachometer red zone. Excessive engine speed can adversely affect engine life.

**Tachometer red zone**  
(excessive engine rpm range)

**MODE** button

**RESET** button

## Changing the Speed and Mileage Unit

Press and hold **MODE** button to change the speed and mileage units ("mph" & "mile" / "km/h" & "km") for the speedometer, odometer and tripmeter at normal display.

Press **MODE** button to select either "mph" & "mile" or "km/h" & "km", then press and hold **MODE** button to set.