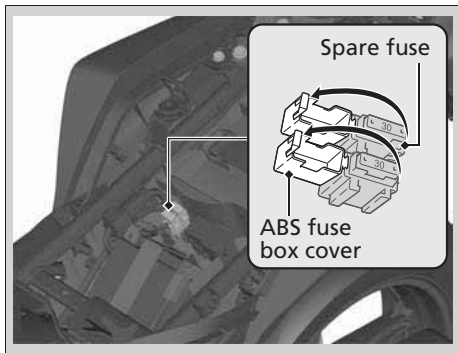


## ABS Fuses

CB300FA only



1. Remove the front seat. 2 P. 51
2. Open the ABS fuse box cover.
3. Pull the fuse out and check for a blown fuse. Always replace a blown fuse with a spare fuse of the same rating.
4. Close the ABS fuse box cover.
5. Reinstall parts in the reverse order of removal.

### NOTICE

If a fuse fails repeatedly, you likely have an electrical problem. Have your motorcycle inspected by your dealer.