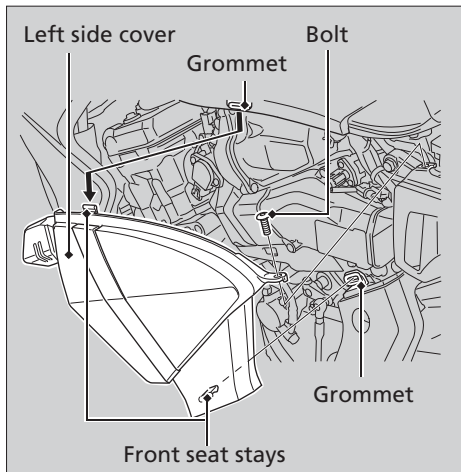


## Left Side Cover

The left side cover must be removed to service the air cleaner and crankcase breather.



### Removal

1. Remove the rear seat and front seat.  
 ► P. 55, 56
2. Remove the bolt.
3. Pull the prongs out from the grommets, then remove the left side cover.

### Installation

1. Position the cover so that the prongs are aligned with the grommets.
2. Push the prongs in.
3. Install the bolt.
4. Install the front seat and rear seat.