

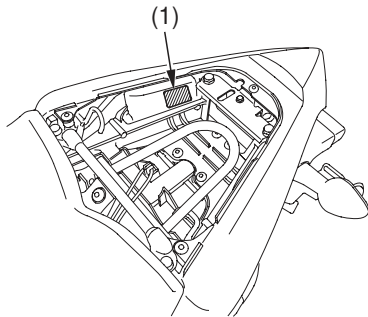
Vehicle Identification

Color Label & Code

The color label (1) is attached on the rear fender under the rear seat. Remove the rear seat (page 94) to check the label.

The color code is helpful when ordering replacement parts. You may record the color and code in the Quick Reference section at the rear of this manual.

UNDER REAR SEAT



(1) color label