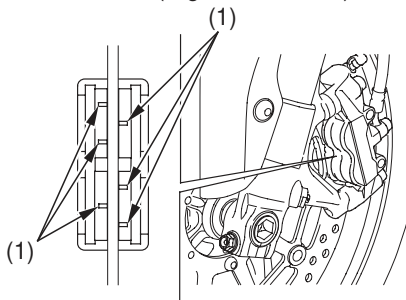


Brakes

(CB1000R)

LEFT FRONT (Right side similar)



(1) wear indicator grooves

Check the wear indicator grooves (1) in each pad. If either pad is worn to the bottom of the grooves, replace both pads as a set. See your dealer for this service.