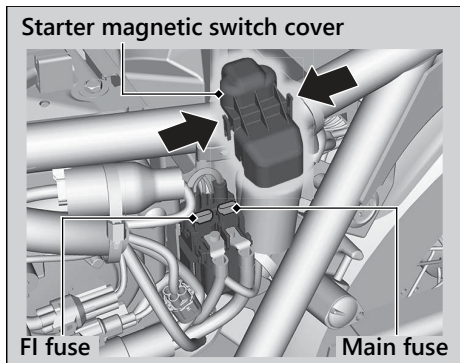


Main Fuse & FI Fuse



1. Remove the left side cover. ► P. 65
2. Remove the starter magnetic switch cover.
3. Pull the main fuse and FI fuse out one by one with the fuse puller and check for a blown fuse. Always replace a blown fuse with a spare fuse of the same rating.
► Spare fuses are provided in the fuse box. ► P. 109
4. Reinstall parts in the reverse order of removal.

NOTICE

If a fuse fails repeatedly, you likely have an electrical problem. Have your motorcycle inspected by your dealer.