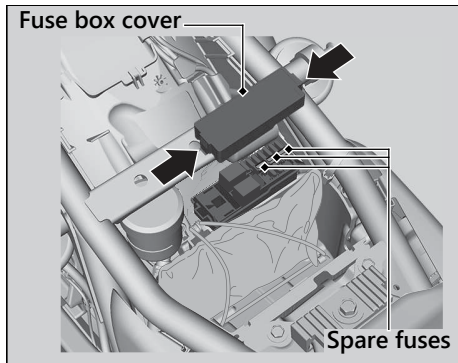


## Blown Fuse

Before handling fuses, see "Inspecting and Replacing Fuses." ► P. 52

### Fuse Box Fuses



1. Remove the seat. ► P. 64
2. Remove the fuse box cover.
3. Pull the fuses out one by one with the fuse puller and check for a blown fuse. Always replace a blown fuse with a spare fuse of the same rating.
4. Reinstall the fuse box cover.
5. Reinstall the seat.