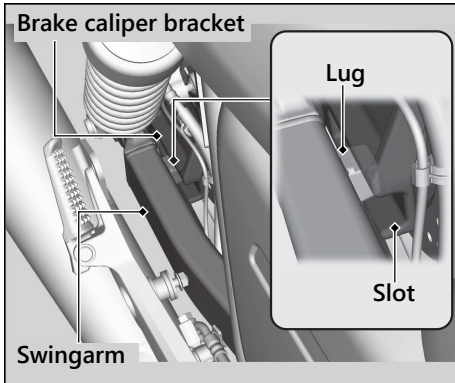


2. Make sure that the lug on the swingarm is located in the slot on the brake caliper bracket.



3. **CB1100CA** Adjust the drive chain. ➤ P. 79
CB1100NA Adjust the drive chain. ➤ P. 80
4. After installing the wheel, apply the brake pedal several times, then check if the wheel rotates freely. Recheck the wheel if the brake drags or if the wheel does not rotate freely.

If a torque wrench was not used for installation, see your dealer as soon as possible to verify proper assembly. Improper assembly may lead to loss of braking capacity.