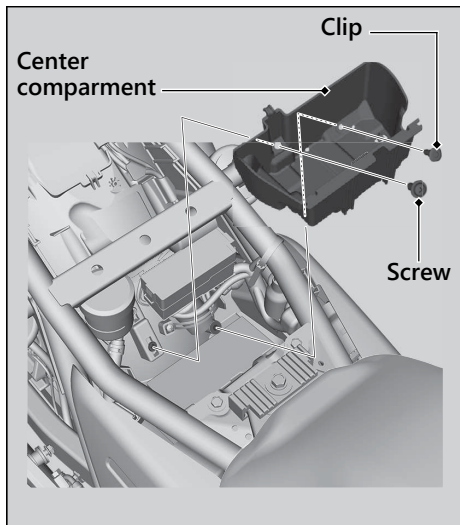


Battery



Removal

Make sure the ignition switch is in the OFF position.

1. Remove the seat. ➤ P. 64
2. Remove the tool kit.
3. Remove the screw and clip. ➤ P. 63
4. Remove the center compartment.