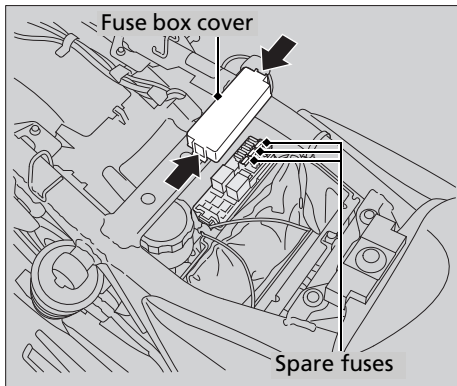


Blown Fuse

Before handling fuses, see “Inspecting and Replacing Fuses.” ► P. 45

Fuse Box Fuses



1. Remove the seat. ► P. 53
2. Remove the fuse box cover.
3. Using the fuse puller provided in the tool kit (► P. 32), pull the fuses out one by one and check for a blown fuse. Always replace a blown fuse with a spare of the same rating.
4. Reinstall the fuse box cover.
5. Reinstall the seat.