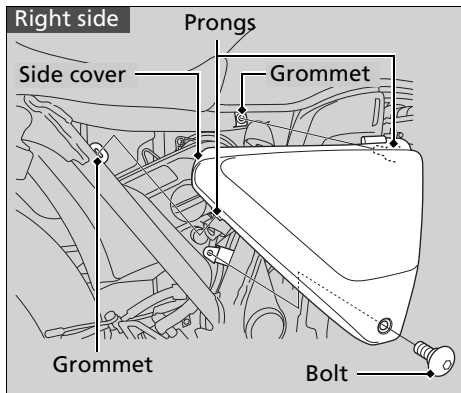


Side Cover

The right side cover must be removed for the air cleaner maintenance.

The left side cover must be removed for the fuse maintenance.



The right and left side covers can be removed in the same way.

Removal

1. Remove the bolt.
2. Remove the prongs from the grommets.
3. Remove the side cover.

Installation

Install the parts in the reverse order of removal.