

REAR WHEEL/BRAKE/SUSPENSION/FINAL DRIVE

'85 AND AFTER

Apply a soap and water solution around new drum seal.

Press the drum seal onto the brake panel using the special tool and a suitable bar until it seats fully.

TOOL

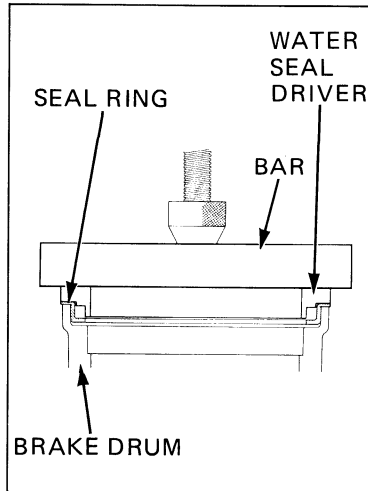
WATER SEAL DRIVER 07947-HA00000

Make sure that there is no clearance between the brake panel and the drum seal.

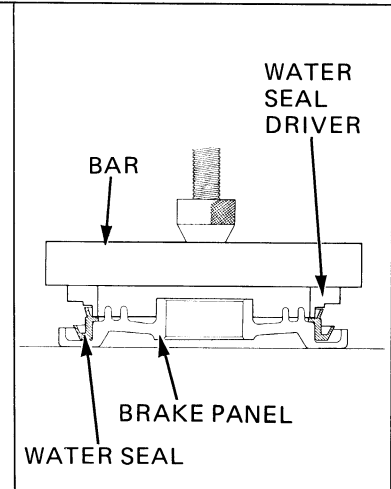
'85 ONLY

Apply a soap and water solution around the seal ring and press it onto the brake drum using the same tool until it seats fully.

'85 ONLY



'85 AND AFTER



'85 ONLY

Make sure that there is no clearance between the drum and the seal ring.

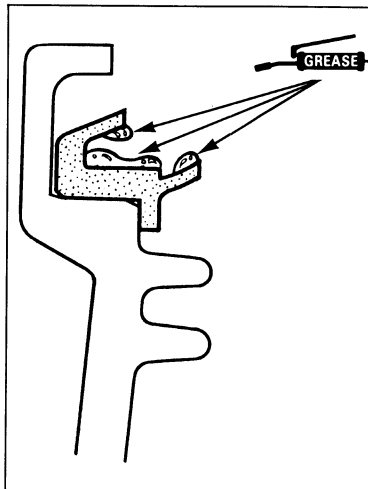
Pack grease in the cavity and lips of the drum seal as shown.

After '85:

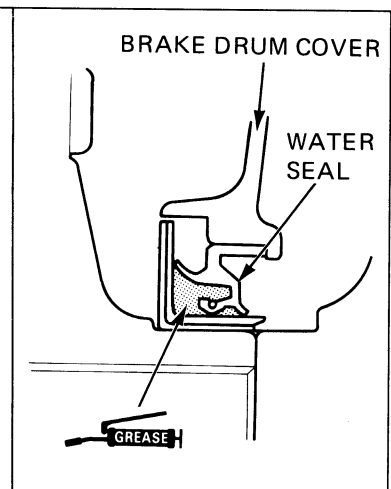
Apply grease to the water seal as shown.

Apply grease to the dust seal in the wheel hub.

'85



After '85



REAR BRAKE ASSEMBLY

'85 ONLY

Apply grease to new rubber seals and install the seals into the brake panel.

