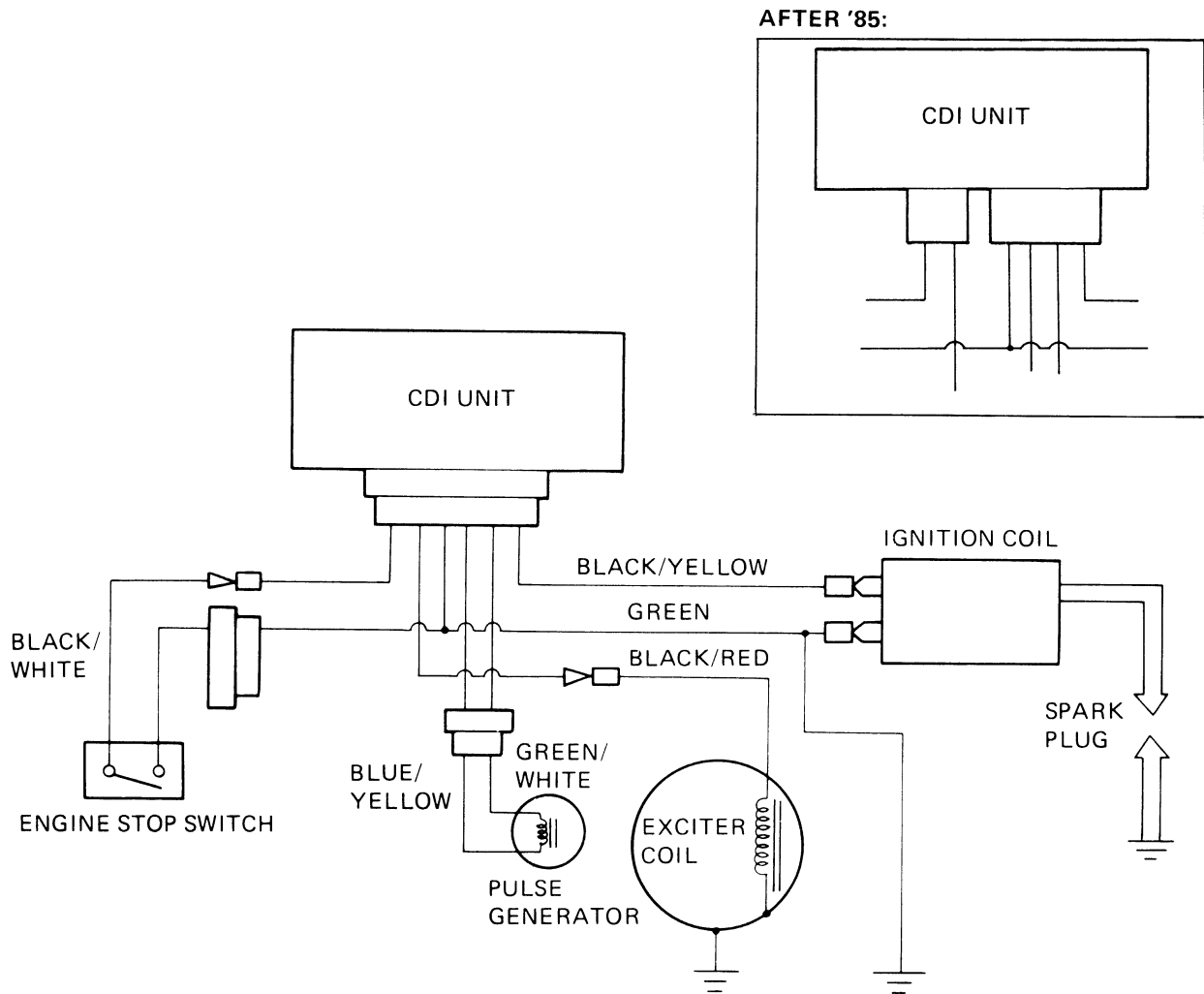


# IGNITION SYSTEM



## IGNITION COIL

- Remove the fuel tank (Page 3-3).
- Remove the spark plug cap.
- Disconnect the primary and ground wires from the ignition coil.
- Remove the ignition coil.

