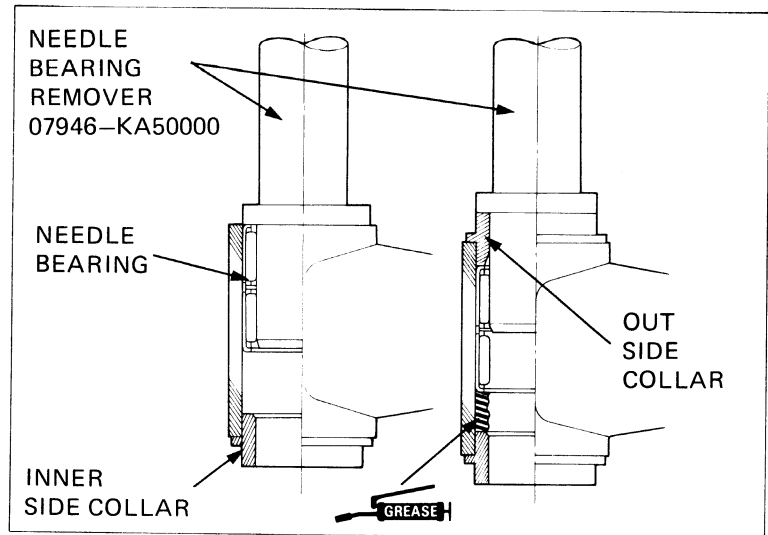


Install a new needle bearing into the swing arm pivot as follows:

- Place the bearing into the pivot with its marking facing to the out side.
- Press the bearing into the pivot using the special tool, just past the edge of pivot.
- Place the out side collar into the swing arm and press the collar and needle bearing into the pivot.
- Pack grease into the cavity of the pivot as shown.

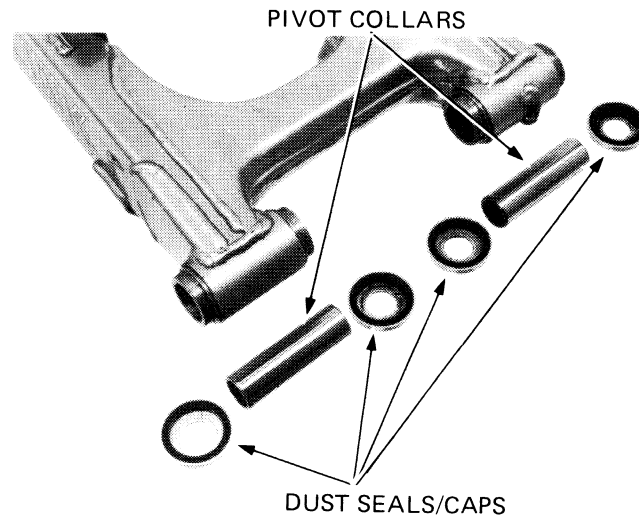
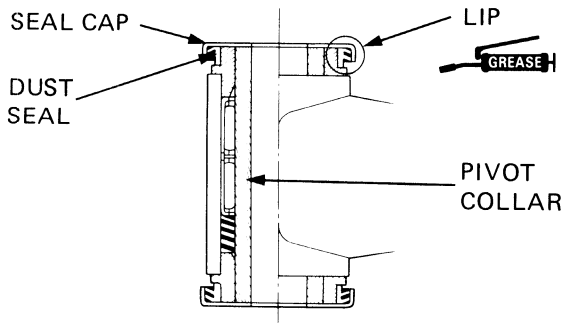


INSTALLATION

Apply grease to the pivot collars and lips of the dust seals.

Install the pivot collars and dust seals onto the swing arm pivot as shown.

Install the dust seal caps.



Install the wheel bearing holder (Page 11-11).

Install the shock arm to the swing arm.

Install the drive chain slider onto the swing arm and secure it with the set plate and screw.

