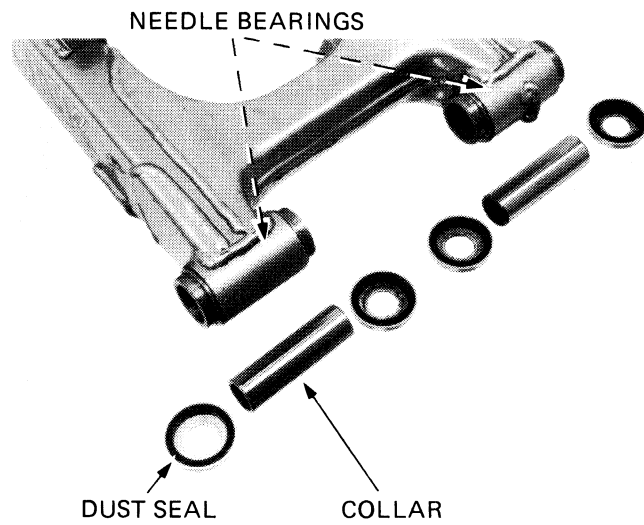


## REAR SUSPENSION

---

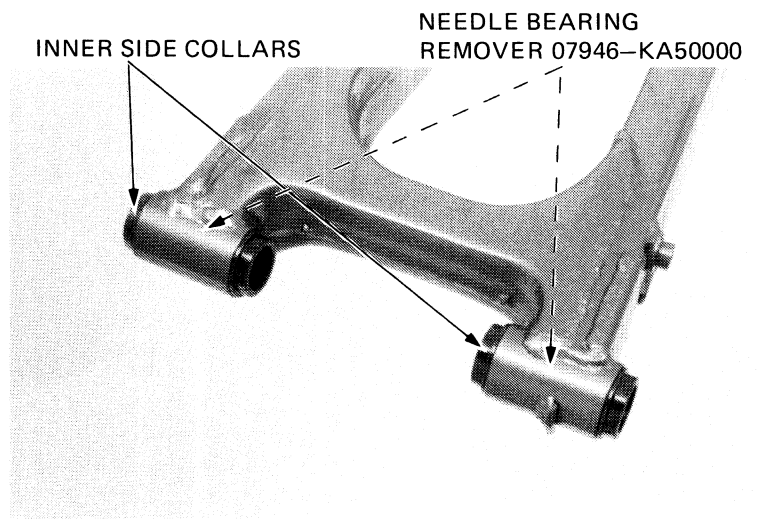
### INSPECTION

Check the swing arm for damage and replace if necessary.  
Check the swing arm pivot needle bearings, collars, and dust seals for wear or damage.



### PIVOT BEARING REPLACEMENT

Remove the inner pivot side collars with a drift.  
Drive out the pivot needle bearings and outer pivot side collars.



Drive in the inner pivot side collars.

