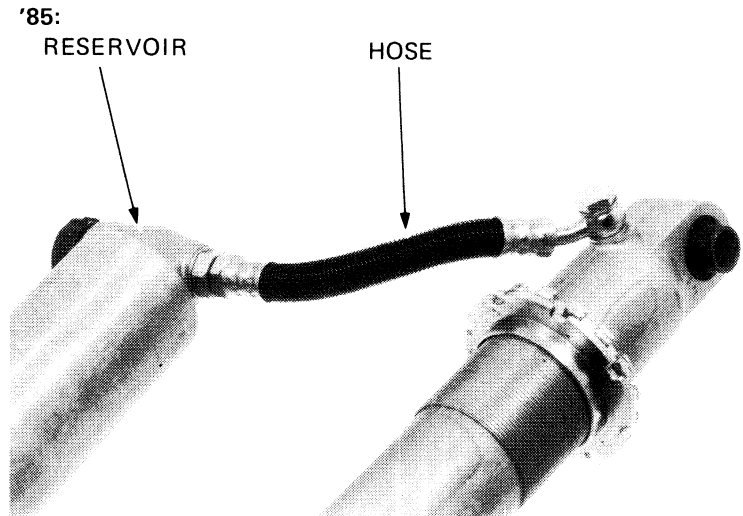


Very carefully connect the reservoir to the shock hose and tighten the hose joint lock nut.

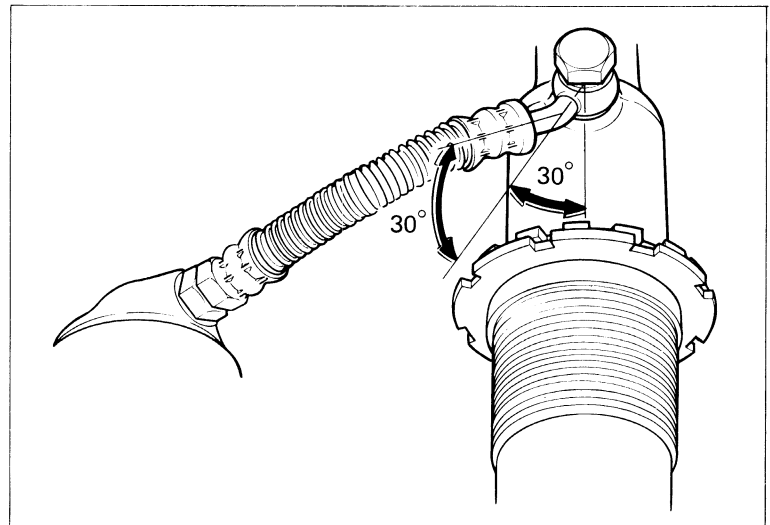
**TORQUE: 28–32 N·m  
(2.8–3.2 kg·m, 20–23 ft·lb)**

Make sure that there is no air in the damper by operating the damper before charging the reservoir with gas.

If damper force is uneven, bleed air from the damper.



AFTER '85:



Fill the reservoir with nitrogen gas to:

'85: 13–16 kg/cm<sup>2</sup> (185–230 psi)

AFTER '85: 20–23 kg/cm<sup>2</sup> (284–327 psi)

**WARNING**

*Use only nitrogen to pressurize the shock absorber. The use of an unstable gas can cause a fire or explosion.*

Install the charging valve cap.

