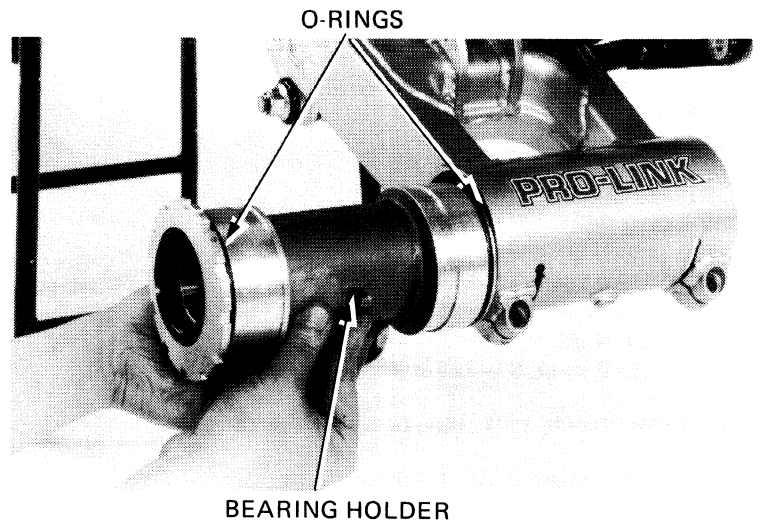


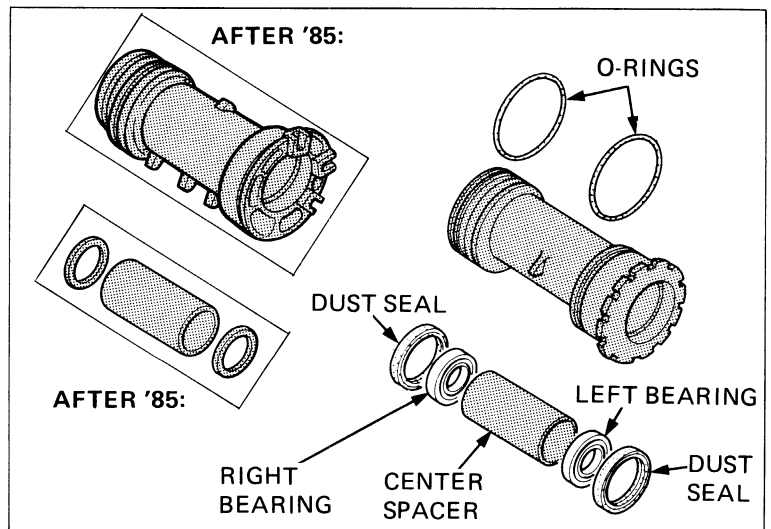
REAR WHEEL/DRIVE MECHANISM

Remove the bearing holder from the swing arm.
Remove the O-rings from the bearing holder.

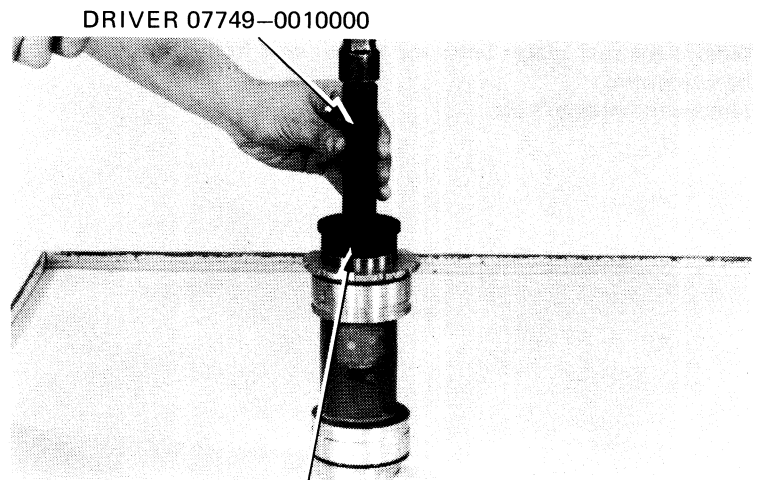


BEARING REPLACEMENT

Remove the dust seals, bearings and center spacer from the bearing holder.



Drive a new right bearing into the bearing holder with the special tools.
Install the center spacer.
Drive a new left bearing into place with the same tools.
Apply grease to the lip of new dust seals and drive the dust seals into the bearing holder until their out side surfaces flush with the end surface of the holder.



ATTACHMENT, 62 x 68 mm 07746-0010500
PILOT, 40 mm 07746-0040900