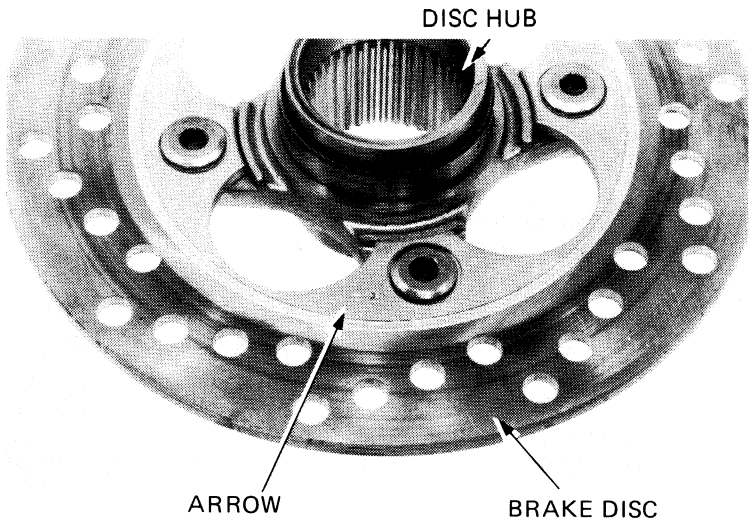


INSTALLATION

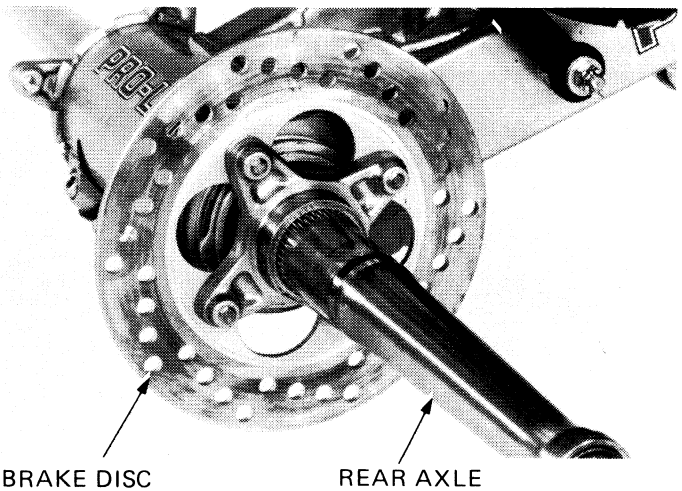
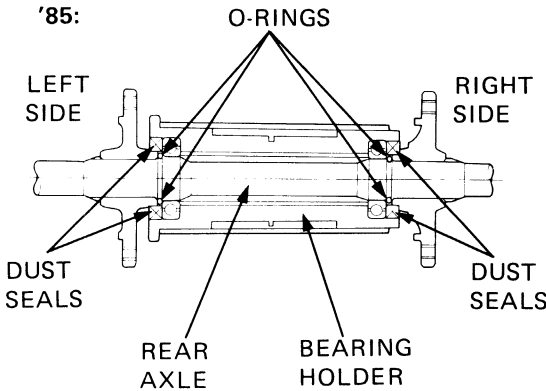
Install the brake disc onto the disc hub with its arrow facing the inside.  
 Apply grease or oil to the disc socket bolts and tighten the bolts.

**TORQUE:** 35–40 N·m  
 (3.5–4.0 kg·m, 25–29 ft·lb)

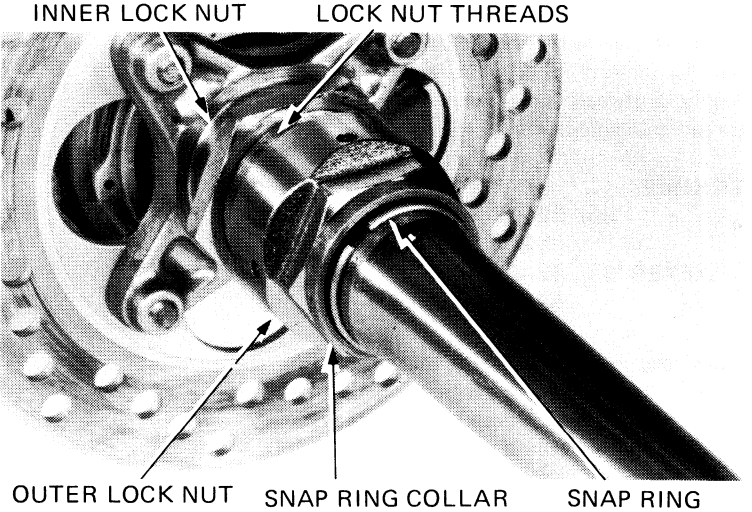
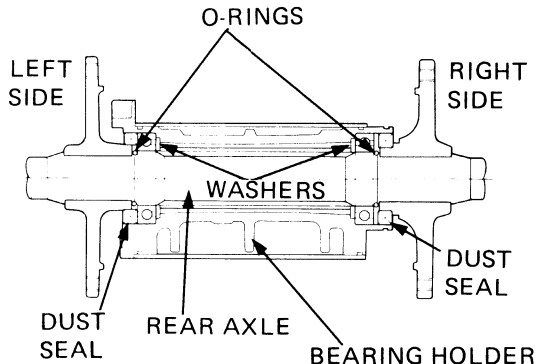
**WARNING**  
*Grease or oil on the disc will reduce stopping power. Clean the disc with a high quality brake degreaser if oil or grease gets on the disc.*



Install a new O-ring over the rear axle and insert the rear axle from the left side.  
 Install a new O-ring and brake disc over the axle.



AFTER '85:



Apply a thread lock agent to the inner lock nut threads.  
 Thread the inner and outer lock nuts over the lock nut thread and install them onto the axle.  
 Install the snap ring collar and snap ring.