

FORK SPRING

Measure the fork spring free length.

SERVICE LIMITS:

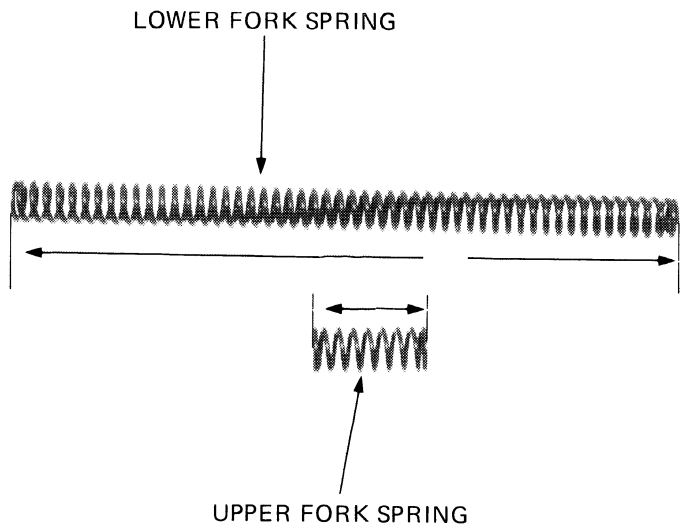
'85:

UPPER FORK SPRING: 75.4 mm (2.97 in)

LOWER FORK SPRING: 493.1 mm (19.41 in)

AFTER '85:

FORK SPRING: 569.4 mm (22.42 in)

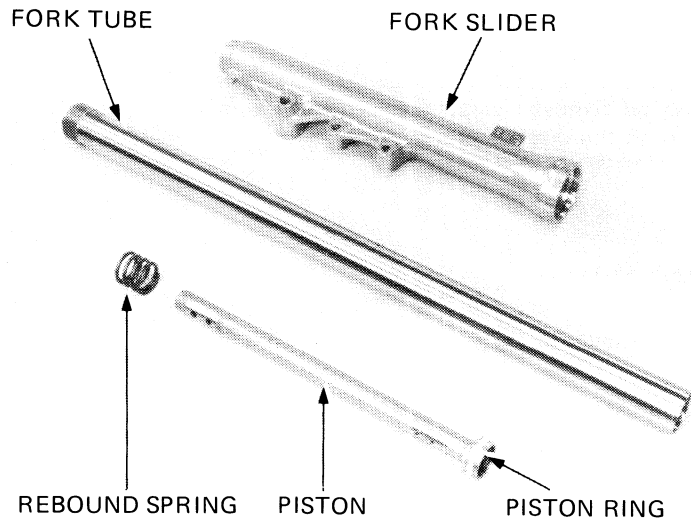


FORK TUBE/SLIDER/PISTON

Check the fork tube, fork slider and piston for scoring, scratches, or excessive or abnormal wear. Replace any components which are worn or damaged.

Check the fork piston ring for wear or damage.

Check the rebound spring for fatigue or damage.



Place the fork tube in V blocks and read the runout.

SERVICE LIMIT: 0.2 mm (0.008 in)

