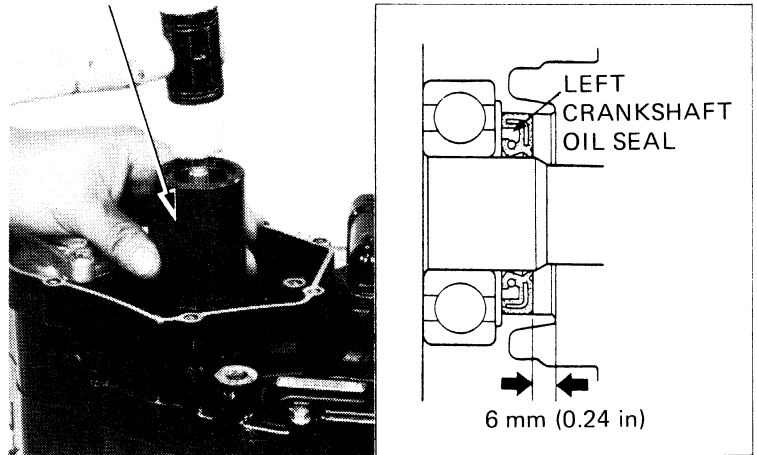


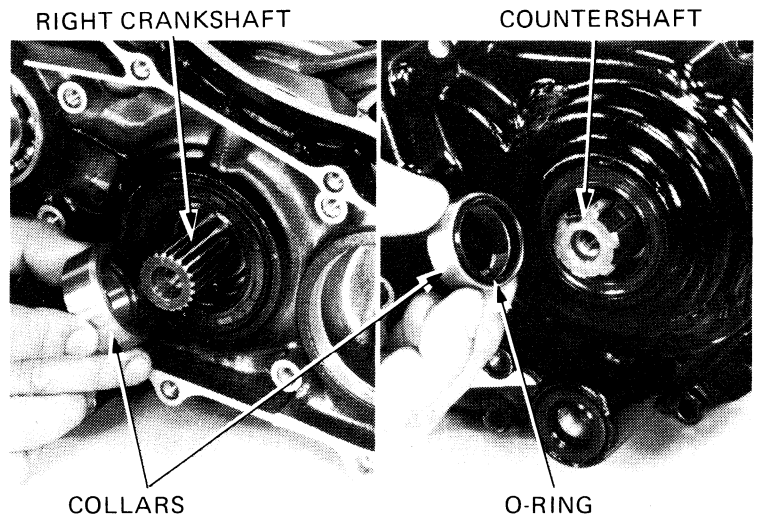
TRANSMISSION/CRANKSHAFT/BALANCER

Drive a new right crankshaft oil seal into place until it is flush with the crankcase surface.
Drive a new left crankshaft oil seal into the crankcase until it is 6 mm (0.24 in) from the left end of the case as shown.

ASSEMBLY COLLAR
07931-KF00100 or 07945-3710101



Install the right crankshaft collar.
Coat a new O-ring with grease and install the collar and O-ring onto the countershaft.



Install the crankcase attaching bolts and balancer bearing holder.

Reinstall the items noted in the information paragraph on page 8-1.

