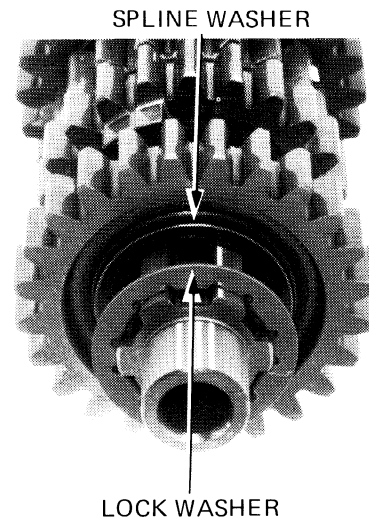
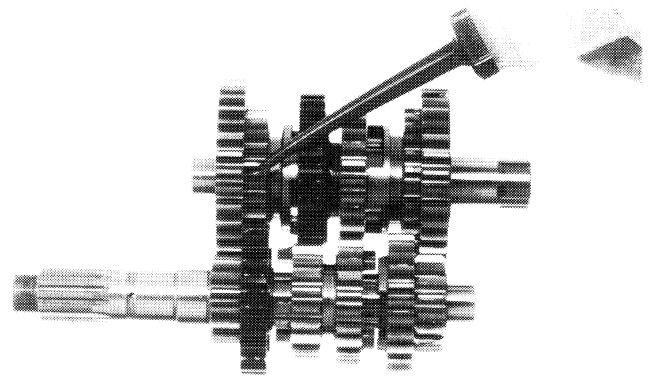


TRANSMISSION/CRANKSHAFT/BALANCER

Install the lock washer while aligning the tabs of the lock washer with the grooves in the spline washer.



Coat each gear with transmission oil before assembling. After installing, check for smooth movement.



Install the mainshaft and countershaft into the left crankcase.

