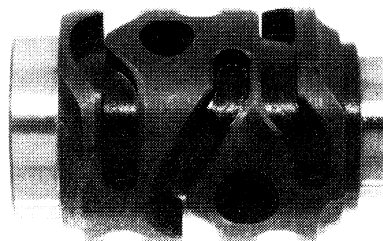


TRANSMISSION/CRANKSHAFT/BALANCER

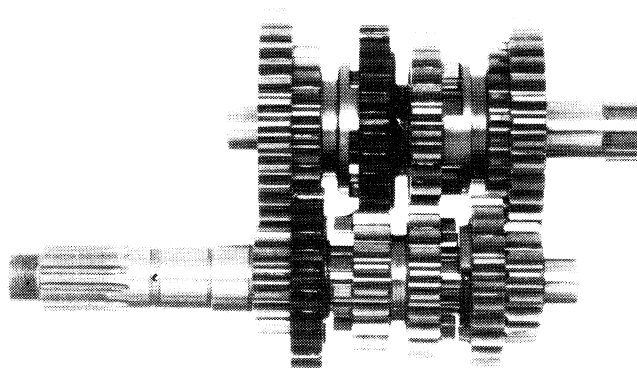
Inspect the shift drum grooves and replace the drum if they are damaged or show excessive wear.



Inspect each gear for wear or damage and replace if necessary.

Check the gear teeth for wear or damage.

Check the engagement dogs of gears for wear or damage.



Measure the I.D. of each gear.

SERVICE LIMIT:	M6	25.06 mm (0.987 in)
	M5	28.05 mm (1.104 in)
	C1	22.06 mm (0.869 in)
	C2	27.06 mm (1.065 in)
	C3	28.06 mm (1.105 in)
	C4	25.06 mm (0.987 in)

Measure the I.D. of each bushing.

SERVICE LIMIT:	C1	19.04 mm (0.750 in)
	C2	24.04 mm (0.947 in)

Measure the O.D. of each bushing.

SERVICE LIMIT:	M5	27.94 mm (1.100 in)
	C1	21.96 mm (0.865 in)
	C2	27.96 mm (1.101 in)
	C3	27.94 mm (1.100 in)

