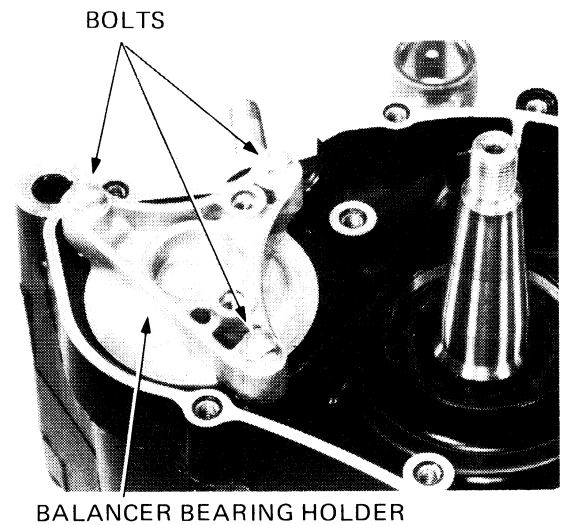


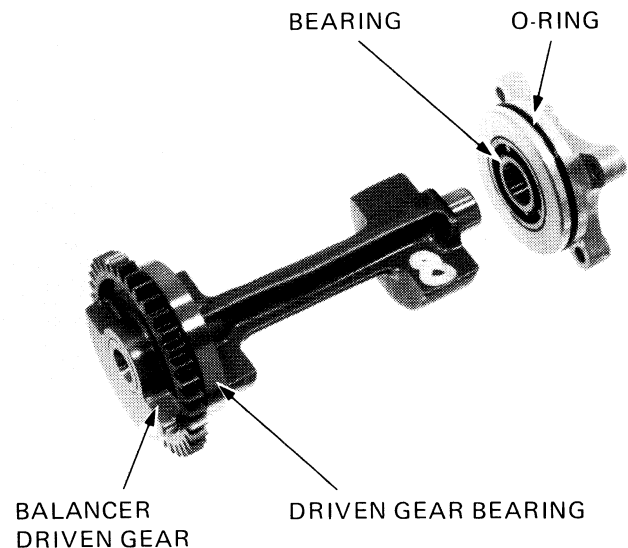
TRANSMISSION/CRANKSHAFT/BALANCER

Remove the alternator (Page 6-2).
Remove the balancer bearing holder attaching bolts and remove the balancer bearing holder.



INSPECTION

Check the bearing and O-ring in the holder.
Replace any part which is worn, damaged or has excessive play.
Check the balancer driven gear and bearing for wear, damage or excessive play.
If the balancer shaft bearing is damaged or has excessive play, the balancer shaft assembly must be replaced.



BEARING REPLACEMENT

NOTE

Be sure to remove the O-ring before heating.

Heat the bearing holder around the bearing to around 80°C (176°F).

CAUTION

Always wear gloves when handling a heated bearing holder.

Remove the bearing.
Drive a new bearing into the bearing holder.

