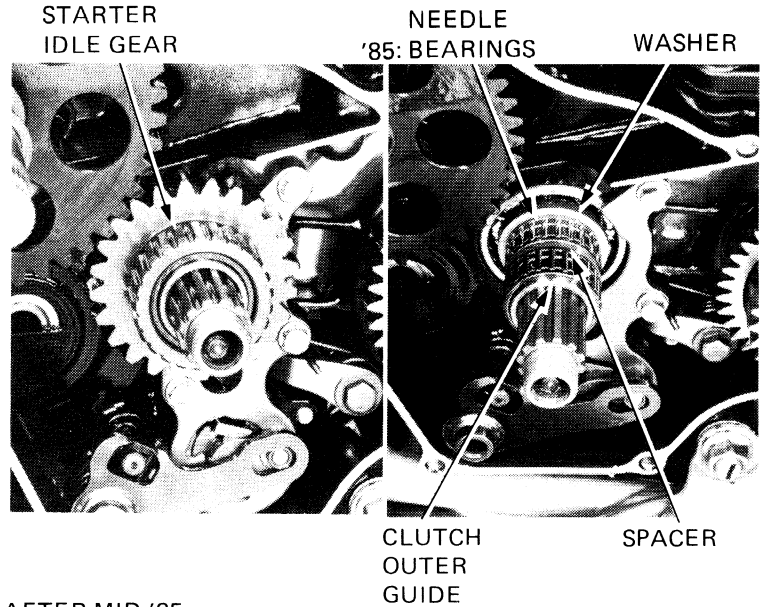


CLUTCH/GEARSHIFT LINKAGE/KICK STARTER

'85:

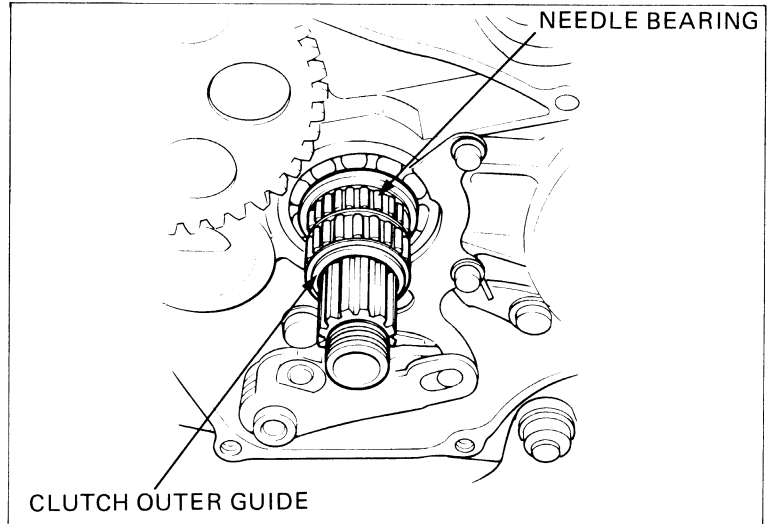
Remove the starter idle gear, needle bearings and spacer.
Check the needle bearings for wear or damage.
Remove the clutch outer guide and thrust washer.



AFTER MID '85:

Remove the starter idle gear and needle bearing.
Check the needle bearing for wear or damage.
Remove the clutch outer guide.

AFTER MID '85:



INSPECTION

Measure the spring free length.

SERVICE LIMIT: 45 mm (1.8 in)

NOTE

Clutch springs should be replaced as a set even if only one is shorter than the service limit.

