

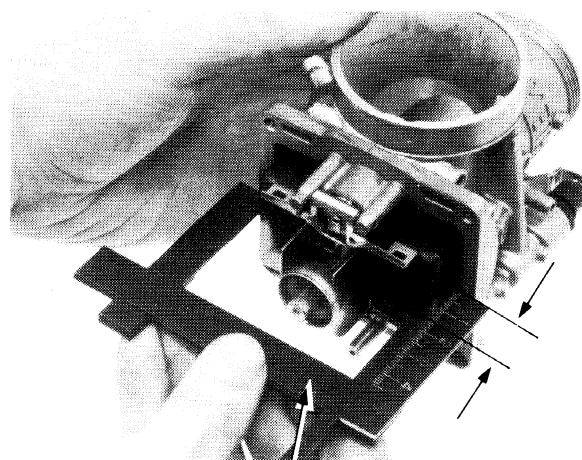
### Float Level Inspection

Measure the float level.

**FLOAT LEVEL: 16 mm (0.63 in)**

To adjust the float level, bend the float arm carefully until the float tip just contacts the float valve.

Install the chamber.



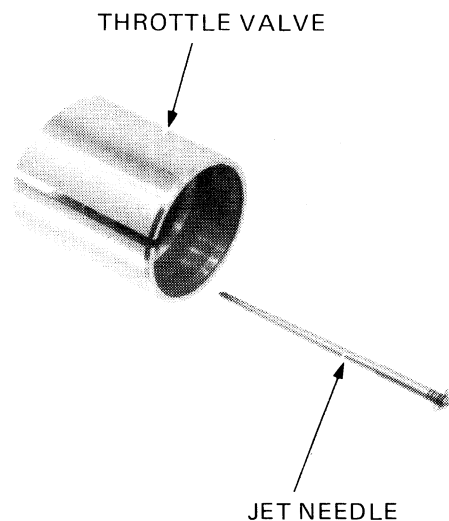
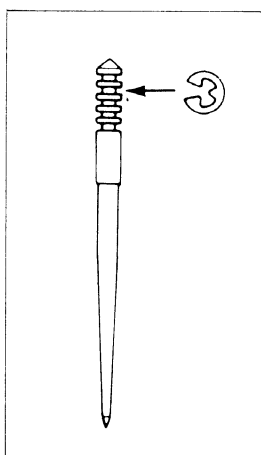
FLOAT LEVEL GAUGE  
07401-0010000

### Throttle Valve

Install the needle clip on the jet needle.

**STANDARD SETTING POSITION: 2nd groove**

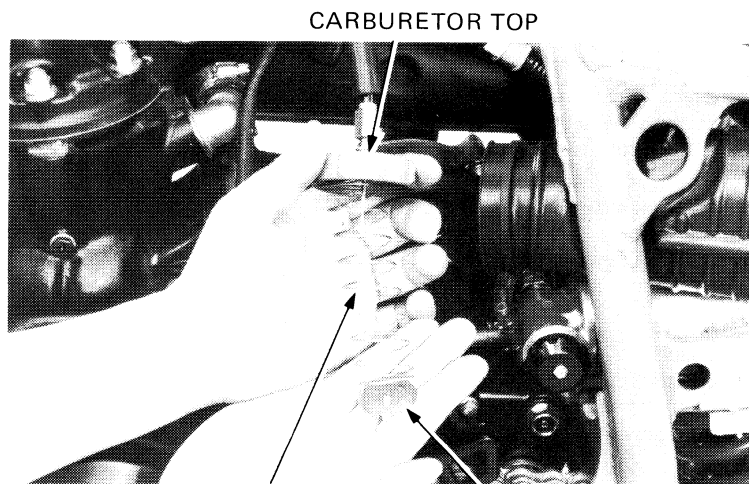
Install the jet needle into the throttle valve.



THROTTLE VALVE

JET NEEDLE

Install the valve spring and retaining plate.



CARBURETOR TOP

SPRING

RETAINING  
PLATE