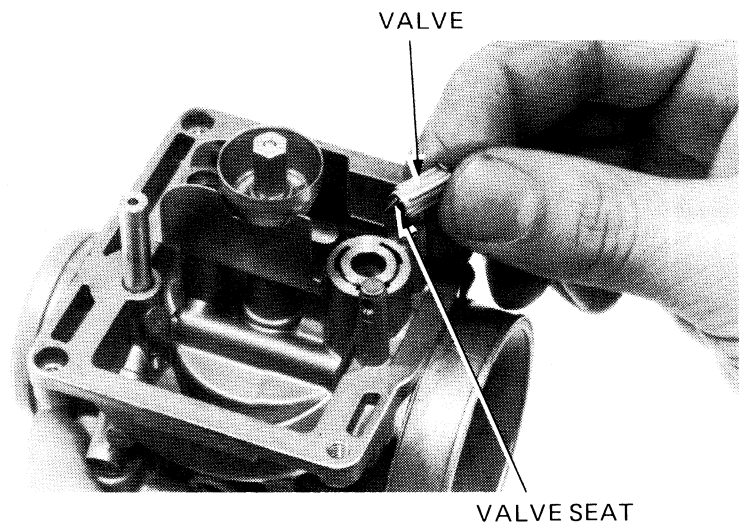


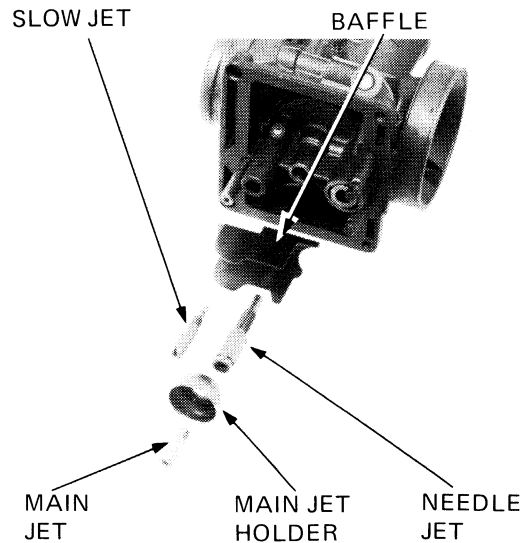
## FUEL SYSTEM

---

Check the valve and seat for wear or damage.  
Replace the valve and seat as a set if either part is worn or damaged.



Remove the main jet, main jet holder, needle jet, baffle and slow jet.  
Check the each parts for wear or damage.



Remove the throttle stop screw and air screw.

### NOTE

Before removing the throttle stop screw and air screw, record the number of rotations until they seat lightly, so they can be returned to their original positions.

