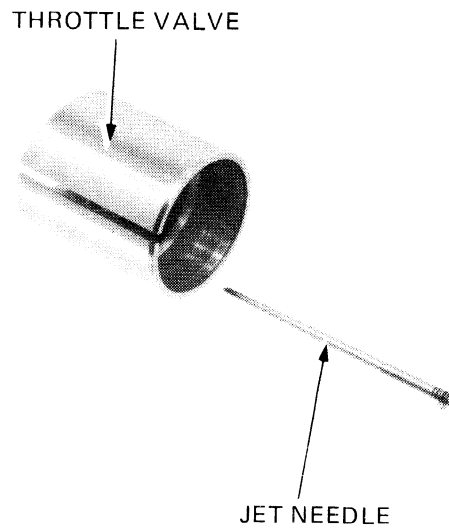
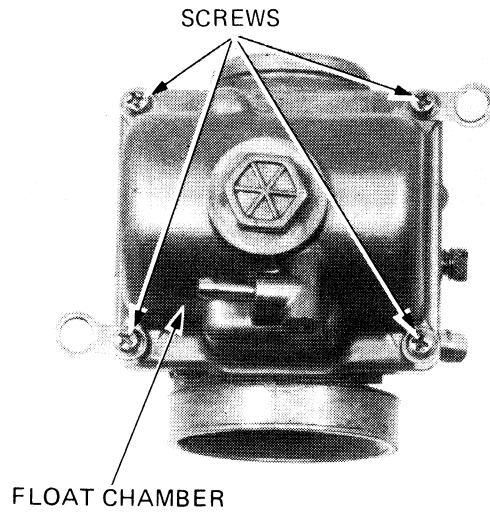


Remove the jet needle.
Check the jet needle and throttle valve for wear or damage.



Carburetor Body

Remove the float chamber attaching screws and remove the float chamber.



Remove the float pin.

CAUTION

Remove the float pin in the direction of the arrow.

Remove the carburetor float and float valve.

