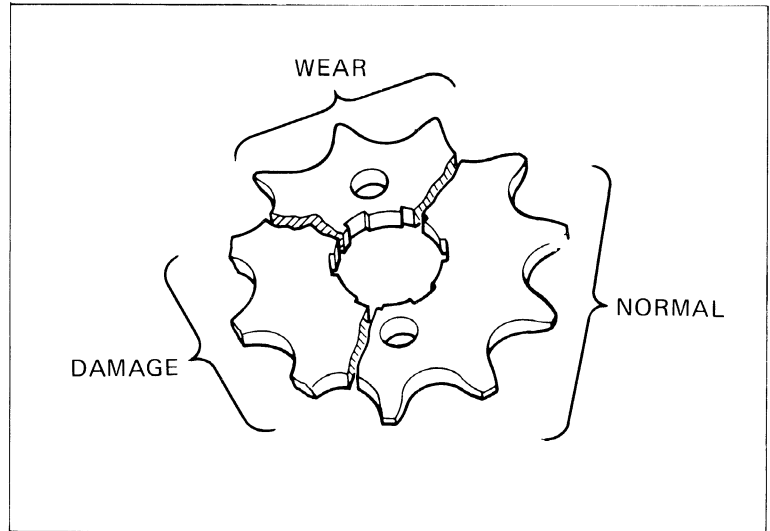


MAINTENANCE

Inspect the sprocket teeth for excessive wear or damage. Replace if necessary.

NOTE

Never install a new drive chain on worn sprockets or a worn chain on new sprockets. Both chain and sprockets must be in good condition, or the new replacement chain or sprockets will wear rapidly.



Install the drive chain.
Install the master link with O-rings and chain retaining clip.

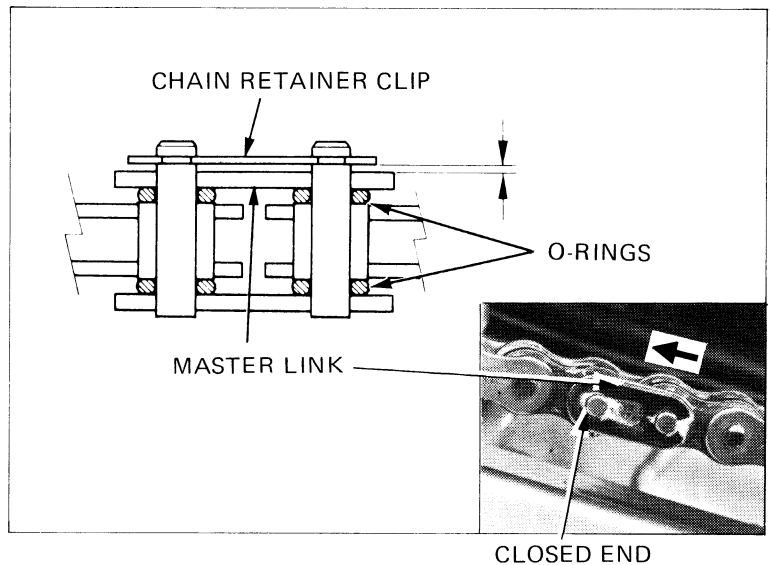
NOTE

The closed end of the clip should face the direction of drive chain travel.

Install the drive sprocket cover.
Adjust the drive chain.

CAUTION

*Do not assemble the drive chain master link without the four O-rings.
Be sure that there is no space between the master link and retaining clip.*



DRIVE CHAIN SLIDER

Check the drive chain slider for wear or damage.
Replace the slider and roller when the depth of the grooves reaches 2.0 mm (1/8 in) or more.

