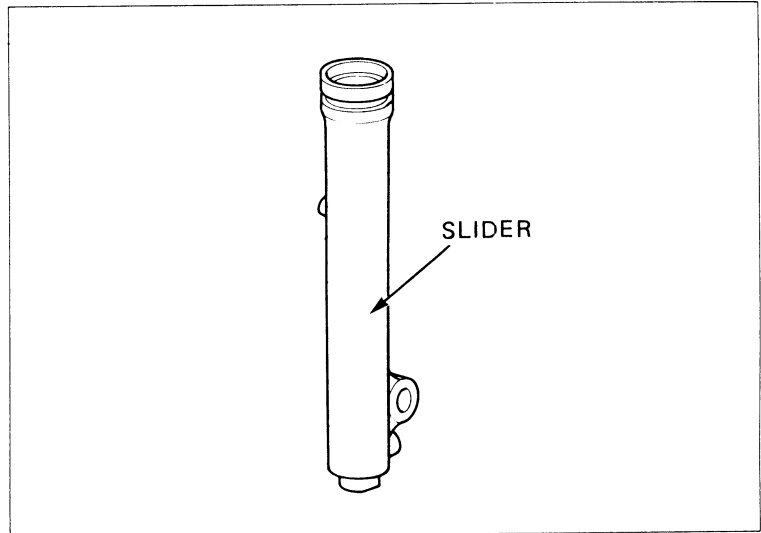




FORK SLIDER

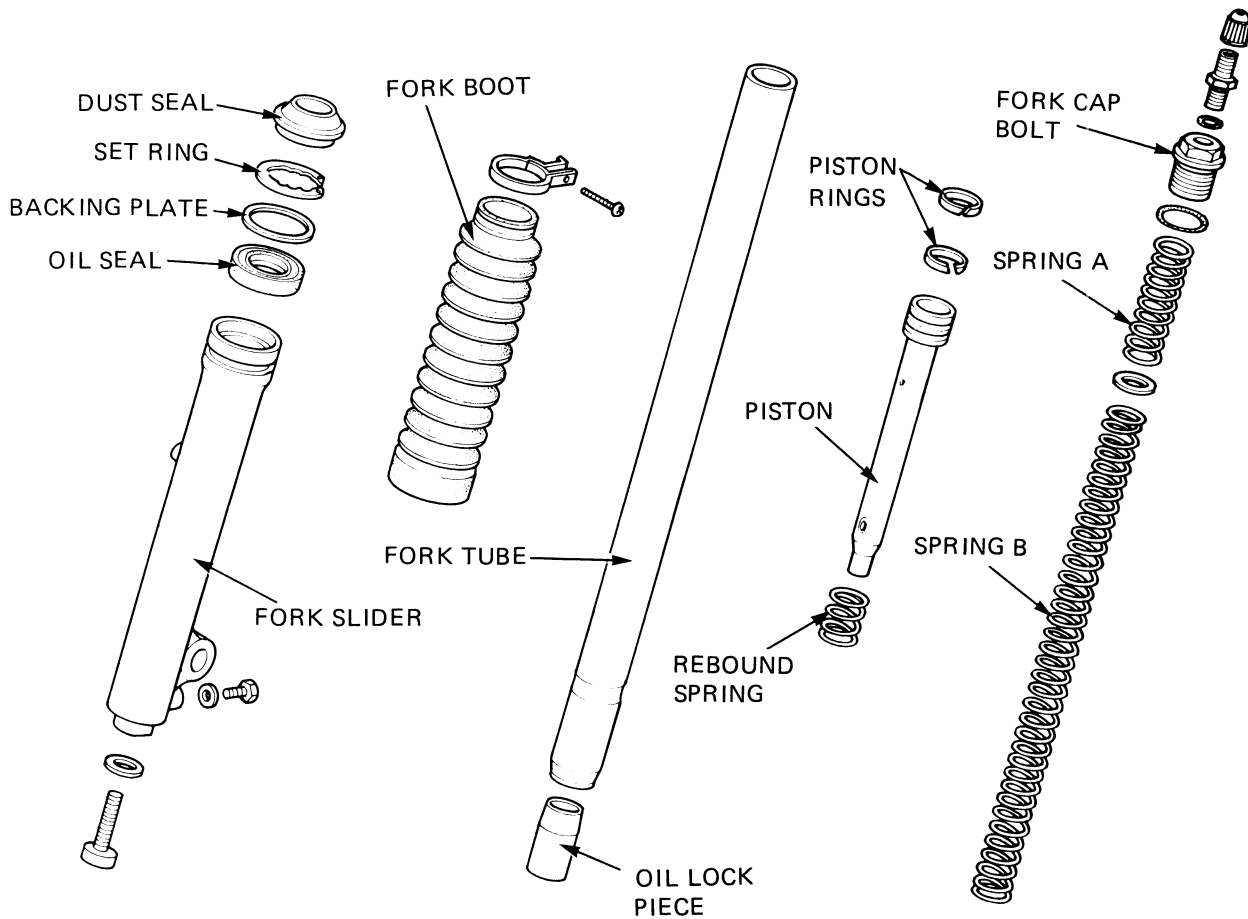
Check the slider for score marks, scratches or abnormal wear.



FRONT FORK ASSEMBLY

NOTE

Wash all removed parts in solvent and wipe them off thoroughly before assembly.



Install the piston ring on the piston.
Install the oil lock piece fork tube, rebound spring and piston.