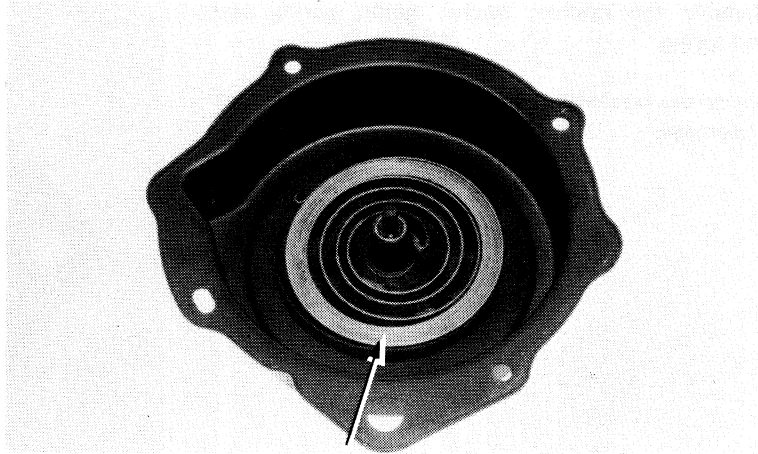


RECOIL STARTER/ALTERNATOR/STARTER CLUTCH

Check the recoil starter spring.
Remove the spring if it is broken.

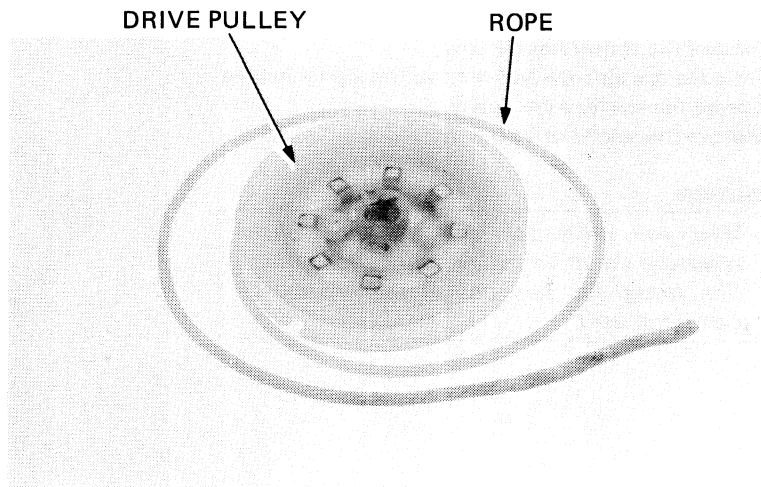


RECOIL STARTER SPRING

ASSEMBLY

Install the starter rope and tie a square knot as shown.

Wrap the rope around the starter pulley in a clockwise direction as viewed from the ratchet side as shown.



Install the spring by hooking the end on the starter housing hook.

CAUTION

Wear eye protection and use care when installing the starter spring. The spring can pop out of the housing if care is not used.

