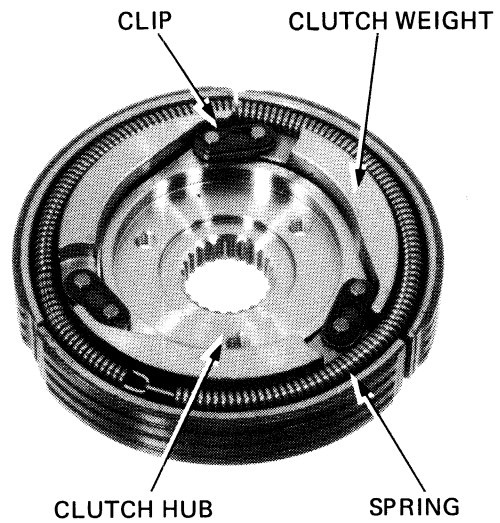


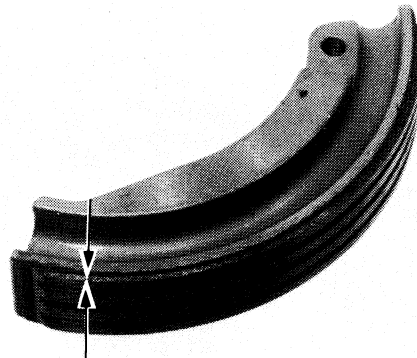
Remove the springs.
Remove the clips and centrifugal clutch weights.



WEIGHT INSPECTION

Measure the weight lining thickness.

SERVICE LIMIT: 4.1 mm (0.16 in)



Measure the weight spring free length.

SERVICE LIMIT: 282 mm (11.1 in)

