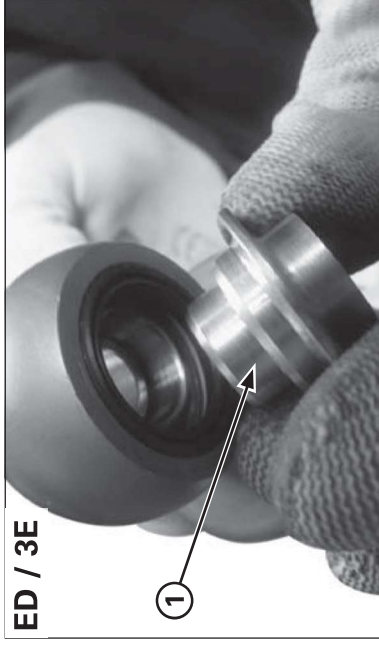


Frame servicing



ED / 3E

(1) DISTANCE COLLAR

Remove the distance collar.

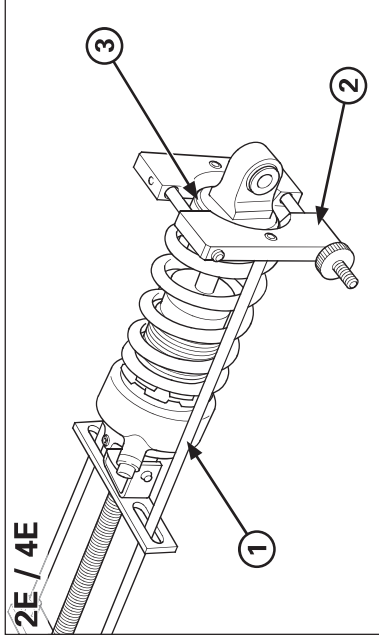
Remove the stopper ring, spring seat and spring.

Inspection

Check the following items (specification; page 2-3):

- Upper and lower spherical bearing for wear or damage
- Spring for damage and measure the free length
- Damper for oil leakage from the damper rod

Replace the damper unit if an oil leak is detected.



2E / 4E

(1) SPRING COMPRESSOR
(2) ATTACHMENT
(3) SPRING SEAT STOPPER

Disassembly 2E / 4E

Loosen the spring lock nut and adjuster.

Remove the lower mounting collars.

Set the shock absorber in the shock absorber compressor and attachment.

Tools:

Shock absorber compressor 07GME-0010100
Compressor attachment 07959-MB10000

Remove the stopper ring, spring seat and spring.

Inspection

Check the following items (specification; page 2-3):

- Upper and lower spherical bearing for wear or damage
- Spring for damage and measure the free length
- Damper for oil leakage from the damper rod

Replace the damper unit if an oil leak is detected.



2E / 4E

(1) VALVE CAP (2E/4E)

Nitrogen Releasing Procedure (2E/4E)

Remove the air valve cap and press the valve stem and release the nitrogen from the damper until pressure is released.

Before disposal of the shock absorber, release the nitrogen from the damper.

Wear adequate eye protection.

Point the valve away from you to prevent debris getting into your eyes.