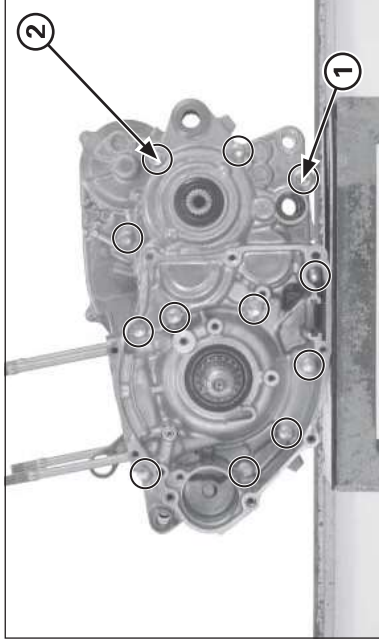
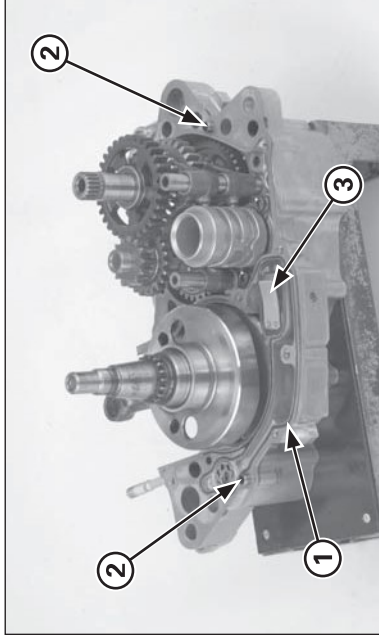


Engine servicing

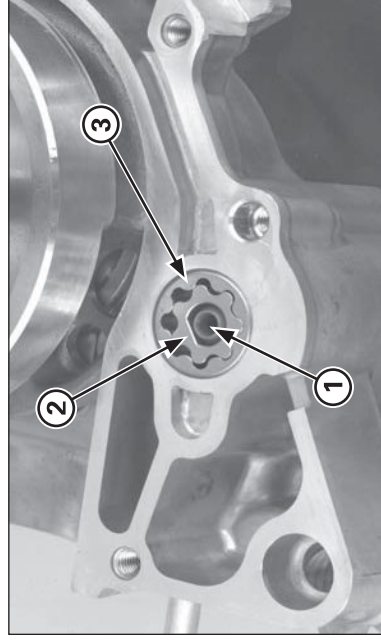


- (1) TRANSMISSION OIL DRAIN BOLT
- (2) CRANKCASE BOLTS

Remove the transmission oil drain bolt and sealing washer. Loosen the crankcase bolts in a crisscross pattern in 2 or 3 steps. Remove the crankcase bolts.



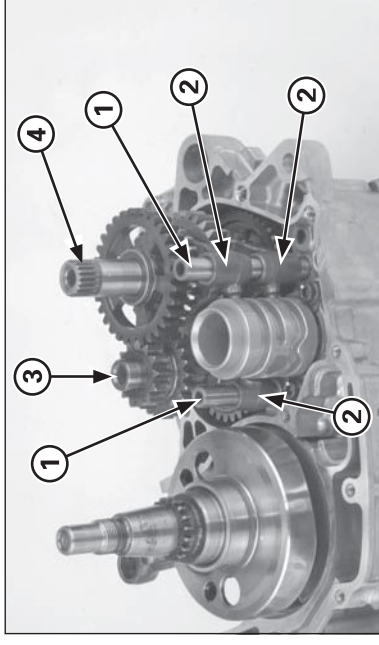
- (1) GASKET
- (2) DOWEL PINS
- (3) ONE-WAY REED VALVE



- (1) OIL PUMP SHAFT
- (2) INNER ROTOR
- (3) OUTER ROTOR

Place the right crankcase facing down and remove the left crankcase from the right crankcase. Remove the gasket and dowel pins. Remove the one-way reed valve.

Remove the oil pump shaft, oil pump inner and outer rotors.



- (1) SHIFT FORK SHAFTS
- (2) SHIFT FORKS
- (3) MAINSHAFT
- (4) COUNTERSHAFT

Remove the following:

- Crankshaft
- Shift fork shafts, shift forks and shift drum
- Mainshaft and countershaft assembly

Disassemble the mainshaft and countershaft.