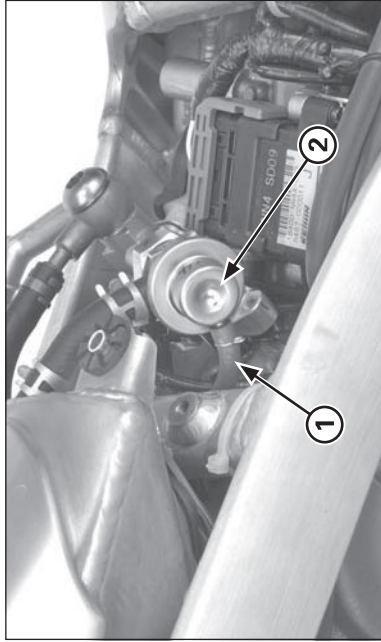


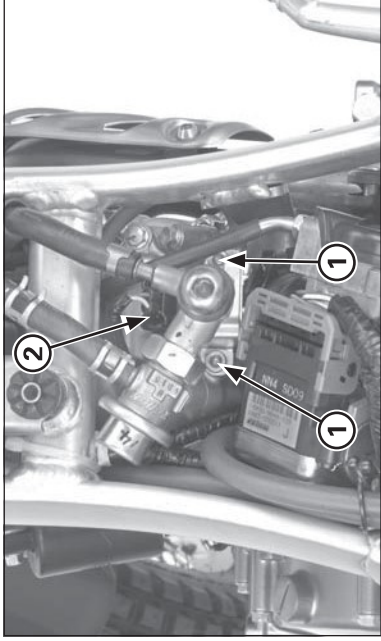
- (1) FUEL TANK
- (2) BOLTS
- (3) BREATHER HOSE



- (1) VACUUM HOSE
- (2) PRESSURE REGULATOR

Install the fuel tank into the frame being careful not to pinch the throttle cable.
Connect the vacuum hose to the pressure regulator.

Install and tighten the fuel tank mounting bolts.
Connect the fuel tank breather hose to the hose clip.



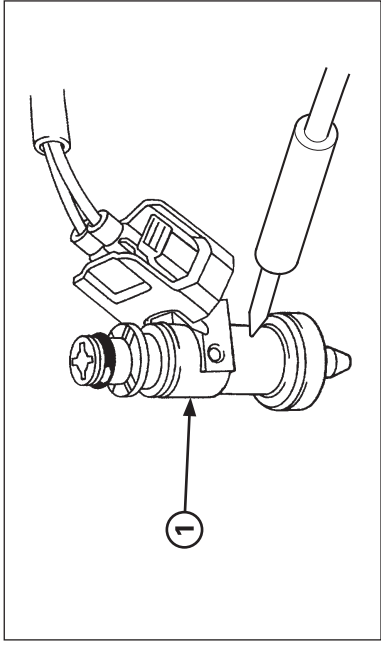
- (1) SOCKET BOLTS
- (2) 2P (BLACK) CONNECTOR

Install and tighten the injector holder socket bolts to the specified torque.

Torque: 8 - 12 N·m (0.8 - 1.2 kgf·m, 5.9 - 8.8 lbf·ft)

Connect the fuel injector 2P (Black) connector.

Install the rear fender.



- (1) INJECTOR

Injector

Inspection

Remove the rear fender.

Start the engine and let it idle.

Confirm the injector operating sounds with a sounding rod or stethoscope.

If the injector does not operate, replace the injector.