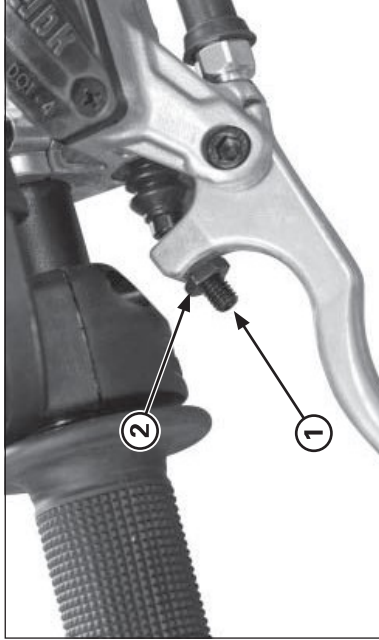


Operating instructions



- (1) ADJUSTER
- (2) LOCK NUT

Front brake lever

The front brake lever free play can be adjusted by turning the adjuster.

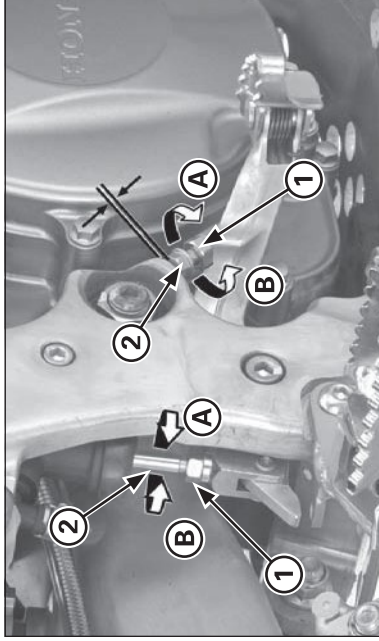
Free play must be adjusted to provide 0.1 – 1.4 mm (0.004 – 0.055 in) clearance between the end of the adjuster and the front brake master cylinder piston.

To increase free play, turn the adjuster clockwise, then tighten the lock nut securely.

If the brake lever free play exceeds 30 mm (1.2 in) even though the end of the adjuster and the front brake master cylinder piston is adjusted to the minimum of 0.1 mm (0.004 in), there is probably air in the brake system and it must be bled.

NOTICE

Do not adjust the end of the adjuster and the front brake master cylinder piston below 0.1 mm (0.004 in).



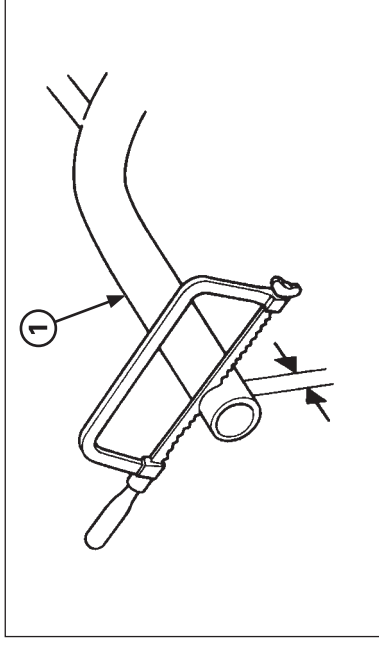
- (1) LOCK NUT
- (2) ADJUSTING BOLT
- (A) RAISE THE PEDAL HEIGHT
- (B) LOWER THE PEDAL HEIGHT

Brake pedal height

The brake pedal height can be adjusted to the rider's preference.

To adjust the rear brake pedal height:

1. Loosen the push rod lock nut and brake pedal adjusting bolt lock nut. Then turn the both adjusting bolts in direction "A" to raise the pedal, or in direction "B" to lower it.
2. Tighten the lock nuts at the desired pedal height.
3. After adjustment, check the brake pedal free play at the top of the pedal.
Make sure that the clearance between the front adjusting bolt and frame is at least 1 mm (0.04 in).



- (1) HANDLEBAR

Handlebar position, width and shape

Position the handlebar so that gripping the bar and operating the controls is comfortable while both seated and standing, while riding straight ahead and turning.

Handlebar width can be trimmed with a hacksaw to better your particular shoulder width and riding preference. Think this through carefully and cut off just a small amount at a time from both side equally. It is obviously much easier to make the handlebar narrower than it is to add material.

NOTICE

Chamfer the edges to remove burrs and other irregularities or roughness after shaping.

An alternate handlebar shape, through varying rise or rearward sweep dimensions, will provide further adjustment to riding position and may better suit your particular body size or riding style. Each of the ergonomic dimensions of the motorcycle were determined to suit the greatest possible number of riders based on an average size rider.