

### Main fuse:

The main fuse is located behind the left side cover. The specified fuse is:

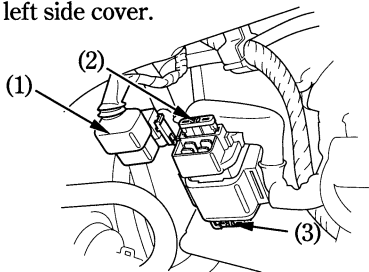
**30A**

1. Remove the seat (page 34).
2. Remove the left side cover (page 44).
3. Disconnect the wire connector (1) of the stator magnetic switch.

Pull out the old fuse (2) and install a new fuse.

The spare fuse (3) is located under the starter magnetic switch.

4. Reconnect the connector and install the left side cover.



(1) Wire connector

(2) Main fuse

(3) Spare fuse

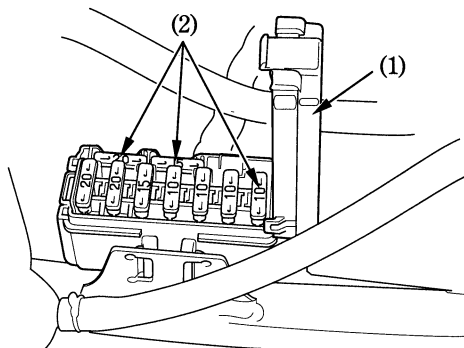
### Fuse box:

The fuse box is located behind the right side cover. The specified fuse are:

**10A, 15A, 20A**

1. Remove the fuse box cover (1).
2. Pull out the old fuse and install a new fuse.  
The spare fuses (2) are located in the fuse box.

3. Install the fuse box cover.



(1) Fuse box cover

(2) Spare fuses