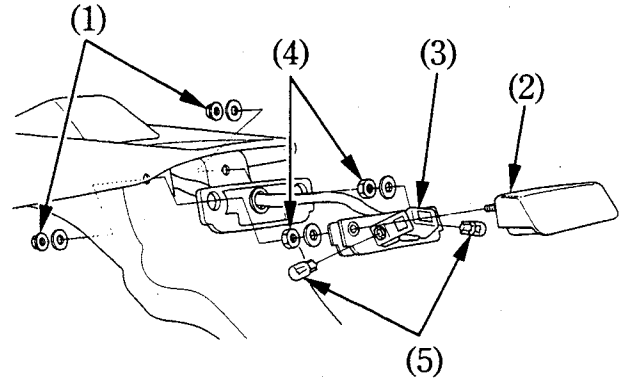


License Light Bulb

1. Remove the license light by removing the two nuts (1).
2. Remove the license light cover (2) and license light socket (3) by removing the two nuts (4).
3. Pull out the bulbs (5).
4. Install a new bulb in the reverse order of removal.



- | | |
|--------------------------|-----------|
| (1) Nuts | (4) Nuts |
| (2) License light cover | (5) Bulbs |
| (3) License light socket | |